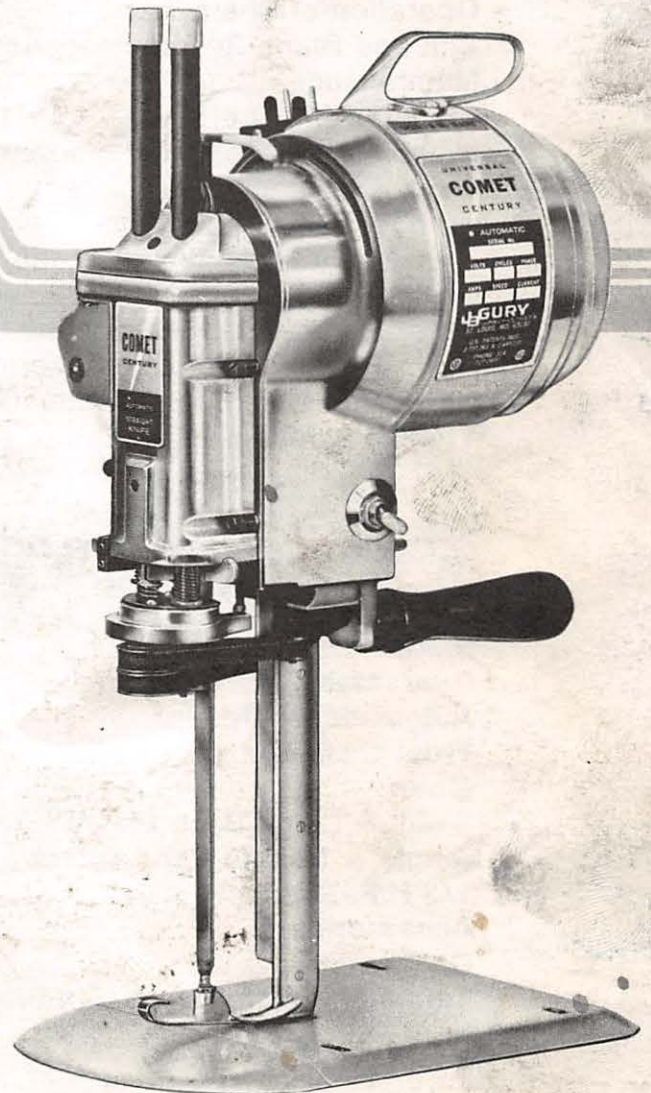


# LEGURY

## PARTS AND SERVICE MANUAL

### UNIVERSAL **Comet** CENTURY Automatic Straight Knife



3rd EDITION, PUBLISHED AUG, 1981

**LEGURY MANUFACTURING CO.**

10270 PAGE INDUSTRIAL BLVD. • ST. LOUIS, MO 63132

AREA CODE 314 427-1600

Telex # 44-2420

From the library of: Superior Sewing Machine & Supply LLC

# I N D E X

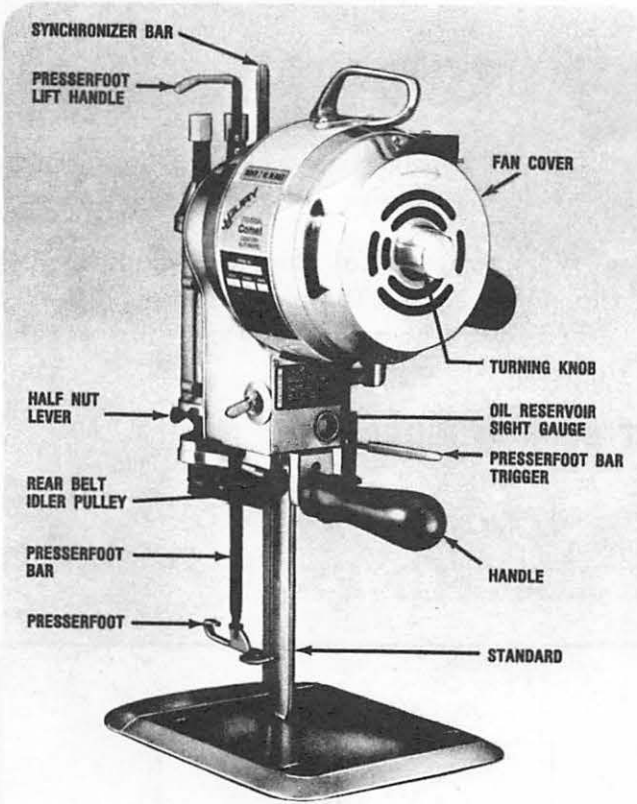
## SERVICE MANUAL

Get to know your Comet Century Straight Knife .....	1
Safe Operating Points .....	1
Electrical Connections / Pin Placement .....	2
Operation of Sharpener .....	3
Belt and Blade Recommendations .....	3
Maintenance .....	4 thru 7
a. To change blade .....	4
b. To change sharpening belts .....	4
c. Lubrication and Care .....	5
d. Adjustments:	
1. Adjustment of the Bar Lock .....	6
2. Adjustment of Lower Unit .....	6
e. Removal of Sharpener .....	6
f. Replacement of Presserfoot Lock .....	7
g. Half Nut Stop Adjustment .....	7
Troubleshooting .....	8 & 9

## PARTS MANUAL

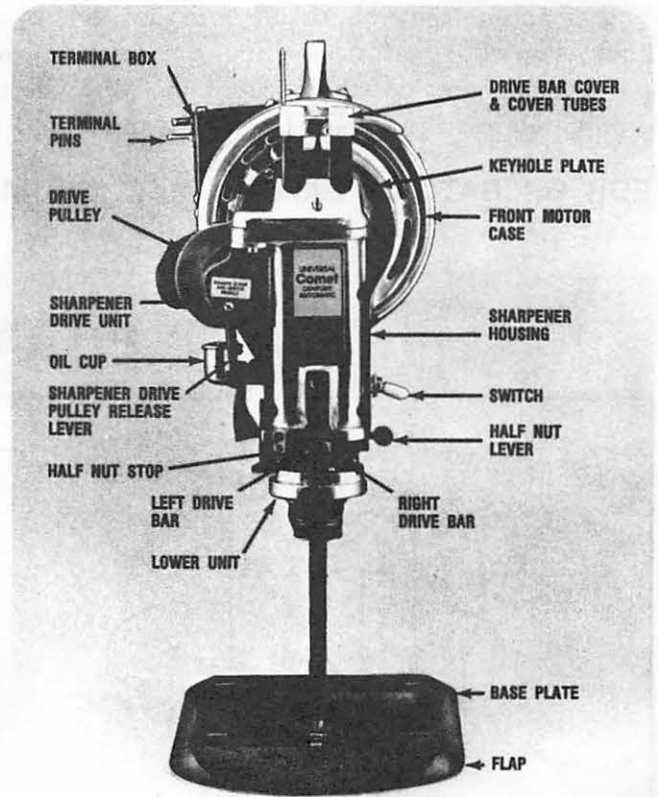
Blades .....	10
Guarantee .....	11
Automatic Sharpener .....	12 thru 19
Front Case and Cross Slide .....	20, 21
Motor .....	22, 23
Small & Large Base Plates .....	24, 25
Single & Double Feed Oilers .....	26
1/3 H.P. Motor .....	27
Accessories .....	28
Connector .....	29
Terminal Pins & Blocks/Pin Placement/Plugs .....	30

## GET TO KNOW YOUR COMET CENTURY STRAIGHT KNIFE



# WARNING—

EXERCISE DUE CARE IN HANDLING THIS MACHINE TO PREVENT PERSONAL INJURY.



- 1 Disconnect electrical connector before changing blades or belts and when working on the machine.
- 2 Always keep presserfoot down on base when not in use. When cutting, keep presserfoot as low as possible.
- 3 When machine is running, never place hands between blade and presserfoot bar.
- 4 When operating the sharpener, keep one hand on the handle and the other hand on the front of the sharpener housing. (Never place hands on lower unit when sharpener is operating.)
- 5 Make sure the machine is electrically grounded.

## BEFORE STARTING A NEW MACHINE

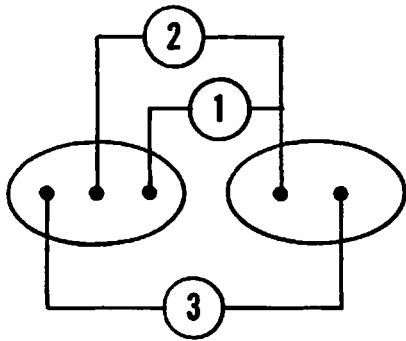
- 1 Allow machine to reach room temperature.
- 2 Fill oil reservoir through oil cup until sight glass is full. Allow machine to stand for 30 minutes before operating. Use only GURY COMET OIL.
- 3 See section on electrical connection.

# ELECTRICAL CONNECTION PLUGS

Your machine may be fitted with any one of several types of electrical plugs (see plugs in parts book, Page 30). Most machines are equipped with a terminal block. The block accepts different pin arrangements depending upon the plug you use. When installing any plug, make sure that the grounding/locking screw is properly connected and tight.

**FOR OPERATOR'S SAFETY, MACHINE MUST BE GROUNDED.**

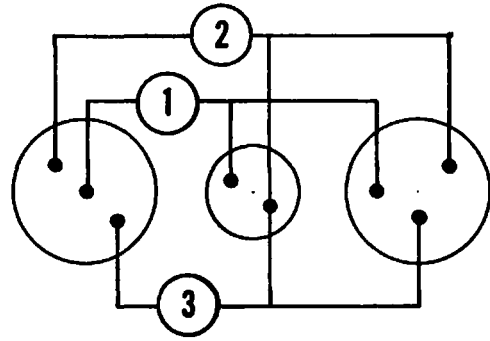
## THREE PHASE MACHINES



### SINGLE PHASE

TERMINAL PINS	PLUG
---------------	------

① GURY	9011100	1972001
② EASTMAN	9011000	9110103
② MAIMAN	9011000	
② BEAVER	9011000	
③ WOLF	9011200	9110203



### THREE PHASE OR SINGLE PHASE/GND. PIN

TERMINAL PINS	PLUG
---------------	------

① GURY	9031000	9030203
② EASTMAN	9031000	9030103
② MAIMAN	9031000	
② BEAVER	9031000	
③ WOLF	9031000	

## PIN PLACEMENT

On three phase machines, make sure the machine is rotating in direction of arrow on fan cover. Reversing any of two wires in the circuit will change direction of rotation.

### CAUTION

OPERATION OF A THREE PHASE MACHINE IN THE WRONG DIRECTION WILL DAMAGE THE MACHINE.



## OPERATION OF SHARPENER

Take machine out of material and lower the presserfoot. Slowly squeeze half nut lever. Too quick a motion can prevent unit from operating. If sharpener unit fails to drop, cautiously push down on lower unit as half nut lever is activated. This condition sometimes occurs in new machines when they are cold. As the machine warms up, the unit should drop normally.

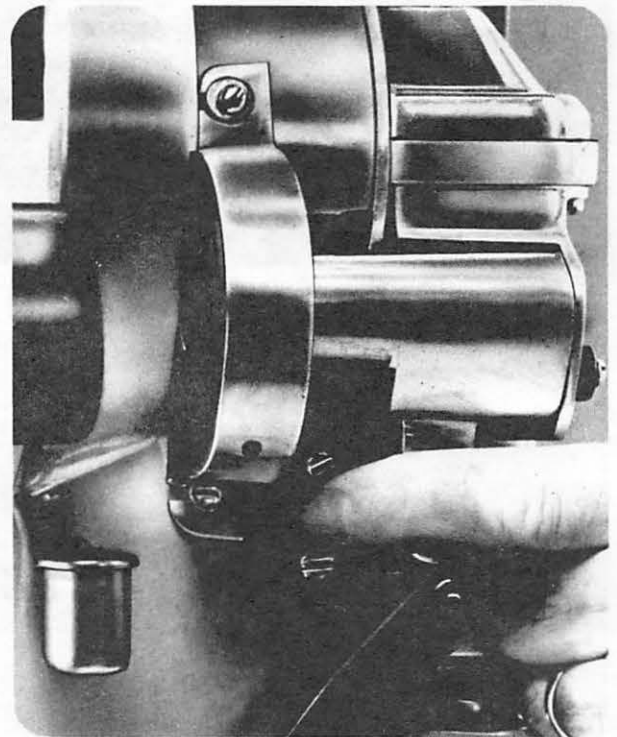
Holding the half nut lever in position will cause the lower unit to stop at the bottom of the blade. This should only be done if it is necessary to round the bottom of the blade or to achieve an extra edge at the bottom of the blade.

### NOTE: ↗

If the motor is stopped when the sharpener has been activated, it is recommended that the drive pulley be released by squeezing the lever on the pulley housing. The lever can be released re-engaging the sharpener as soon as the motor comes up to speed.

## BELT & BLADE RECOMMENDATIONS

Gury offers four different types of blades and five grits of sharpening bands. The following are guidelines based on our experience. We are always ready to help you solve any unusual problems.

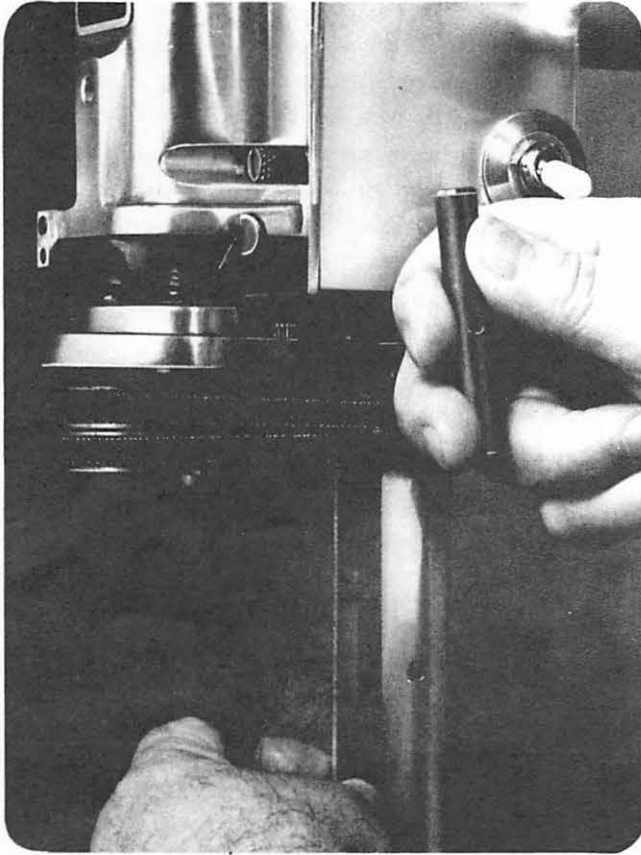


FABRIC	BELT	BLADE	OTHER
Hard, closely woven	Medium, coarse	Plain	Use longest stroke possible. Use oiler for standard with light sewing machine oil.
Soft, loosely woven	X-fine, fine, medium	Plain	
Synthetics, high melting point	X-fine, fine, medium	Plain	
Synthetics, low melting point	Smooth, x-fine, fine	Wave or notched	Dual speed motor. Teflon-coated blade. Toe of blade rounded and stoned.
Blends	X-fine, fine, medium	Plain	
Plastic	Smooth, x-fine	Wave or notched — teflon-coated	Dual speed motor & Blade moistener. Water soluble oil.

If blade fails to hone properly, use the library of Super Fin coarse belt. For trimming, use a 400 grit belt. For top cutting, use a 600 grit belt.

From the library of Superior Sewing Machine & Supply LLC

# MAINTENANCE



## TO CHANGE THE BLADE

### NOTE

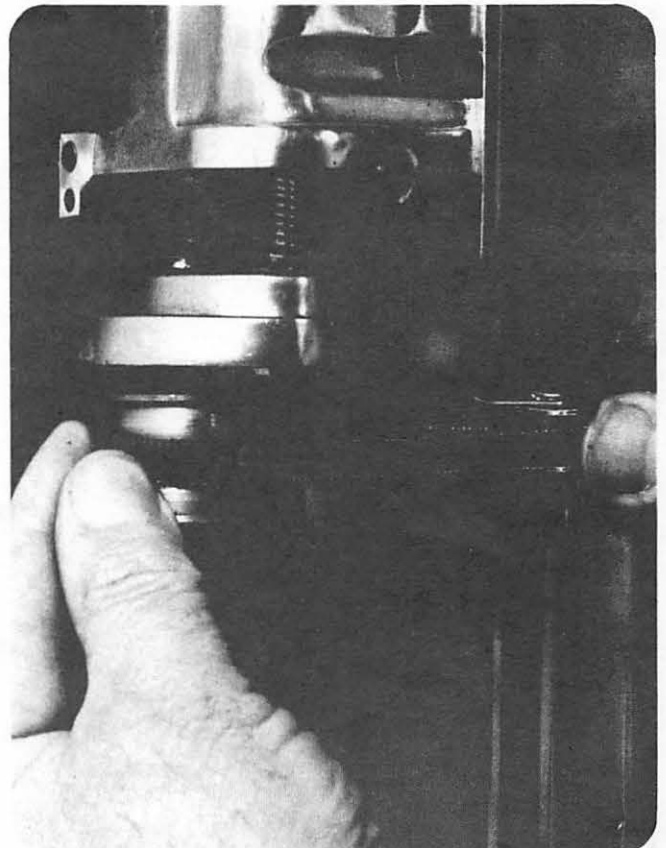
For longest blade life and best cutting, use only genuine Gury blades.

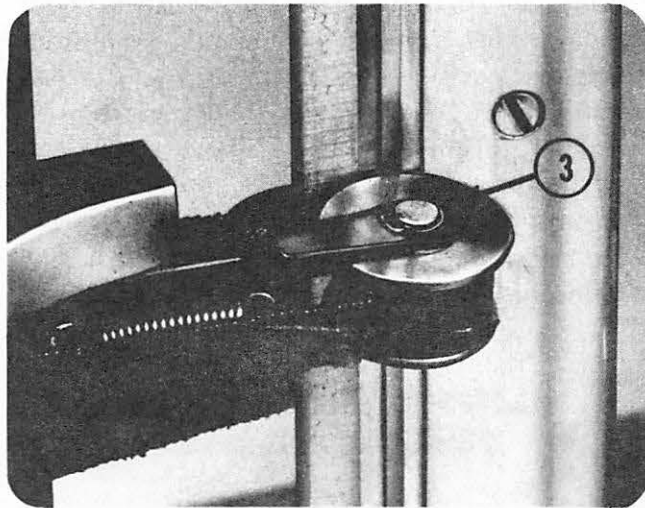
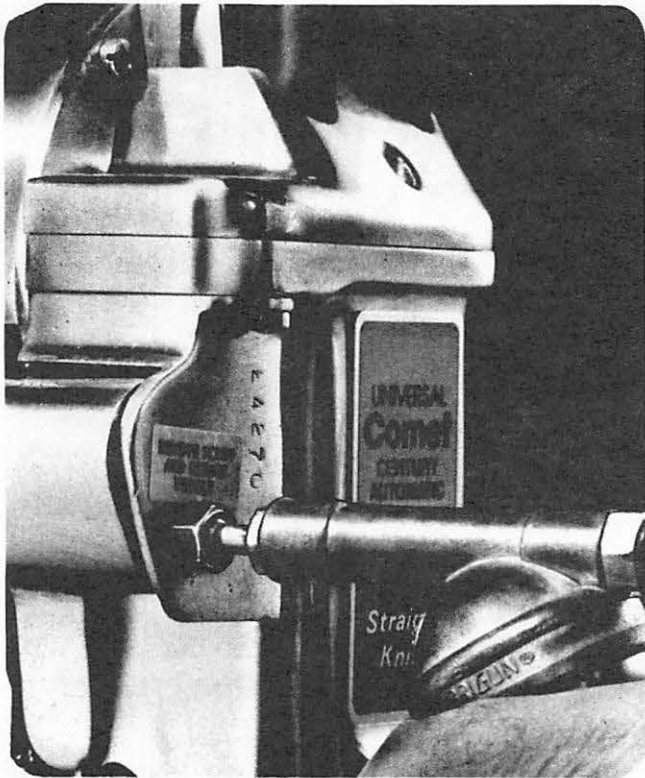
Rotate turning knob until blade is at bottom of stroke. Use allen wrench supplied, and loosen knife locking screw (Part Number 2465003). Lay machine on its side and remove blade through bottom of base. Clean knife slide thoroughly with the slot cleaner supplied and if necessary an air hose. Insert a new blade and tighten locking screw.

## TO CHANGE THE SHARPENING BELTS

To remove belts, cut or tear old belts and discard. To install new belts, drop presserfoot half way. Slide belt between presserfoot and standard so belt is looped around presserfoot bar. Move belt up bar. Slide belts around lower idler pulley and position belt on upper idler pulley. By pulling forward, belts can be slipped on top of drive pulley. Bottom belts can be installed the same way.

See the list of abrasive belts on Page 14.





## LUBRICATING AND CARE

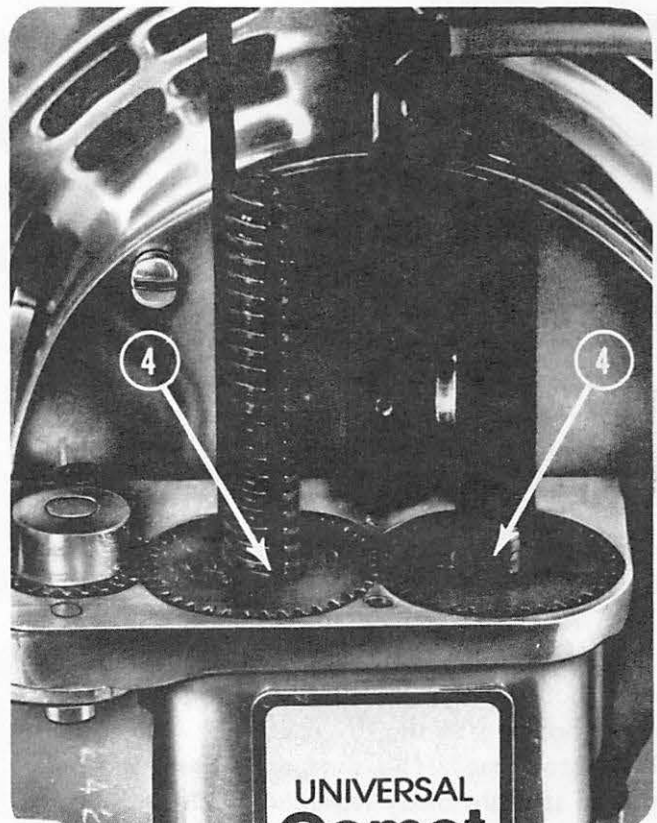
**NOTE: USING ANY OTHER THAN GURY COMET OIL MAY DAMAGE YOUR MACHINE.**

### ← WEEKLY

- ① Grease the idler pulley shaft. Remove only the screw and, using the grease gun furnished with the machine, apply grease into hole. **DO NOT OVER GREASE.**
- ② Clean lint and dust from machine with an air hose. Pay particular attention to motor and underside of base plate and base rollers.
- ③ Put a drop of oil on the sharpening band idler pulley shafts. **DO NOT OVER OIL.**
- ④ Remove drive bar cover and place a drop of oil on keyways of drive bars.

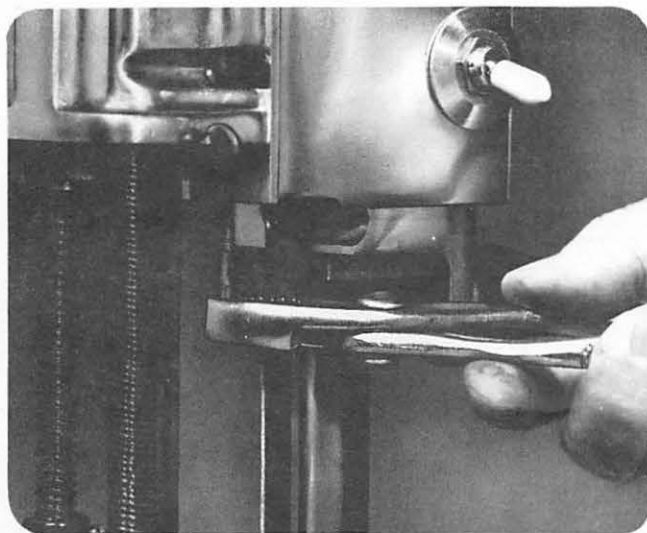
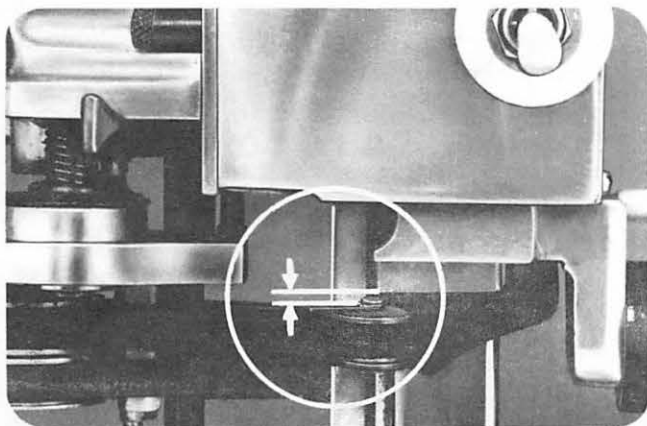
### MONTHLY

Thoroughly clean machine. Remove sharpener and remove any lint or dust from slide box. Make sure that sharpener drive bars are clean and free of any matter of thread, lint, etc. Then, as needed, add oil to reservoir when oil level falls below sight glass. Using any other than Gury Comet oil may result in damage to your machine and will void the warranty.



## ADJUSTMENT OF THE PRESSERFOOT BAR LOCK

To adjust for slippage or after installing a new lock, insert allen wrench in hole in front of sharpener housing. Then press release lever and tighten allen screw until release lever remains down. Then loosen allen screw until release lever jumps. Depress lever and re-tighten allen screw three quarters of a turn. Release lever can be re-positioned by loosening cap nut on lock shaft.



## REMOVAL OF SHARPENER

Remove the drive pulley cover and the screws holding the drive housings support bracket. Then remove the four screws that hold the sharpener to the machine. Grasp the sharpener housing and squeeze the lever on the drive housing so the drive pulley will clear the motor case. The sharpener then can be pulled straight away from the machine.

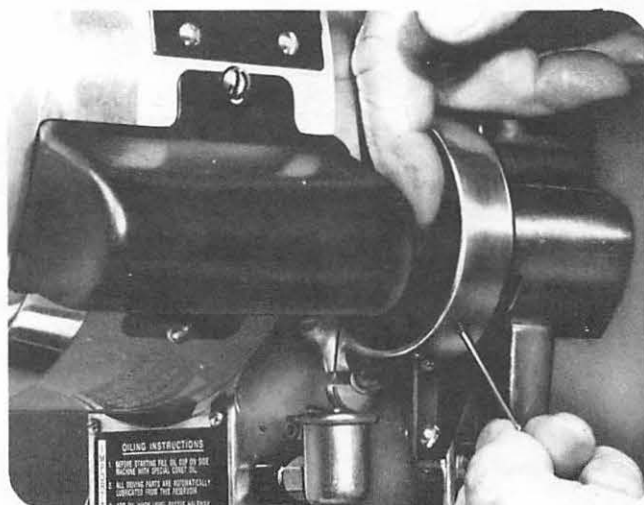


## ADJUSTMENT OF THE LOWER UNIT POSITION

The lower unit should stop so that the top idler pulley is approximately 1.5 mm (1/16 inch) below flange of standard. To adjust, turn on machine and start sharpener. When sharpener is near bottom of cycle, turn off machine. Turn the knurled sleeve on the end of the stop bar in the direction you want to adjust lower unit. Release sharpener drive by pressing lever on drive unit. Turn machine on and re-engage sharpener drive.

## ADJUSTMENT OF THE PULLEY BRAKE

Adjust pulley brake so that pulley has no back lash, then tighten 1/4 turn more.





## REPLACEMENT OF PRESSERFOOT LOCK

This is only required if presserfoot bar continues to slip after adjustment. Remove the sharpener (see sketch) and remove keyhole plate from back of the sharpener. Remove 3/8-24 allen screw. Remove presserfoot bar housing. Rotate lock holders so slot is lined up with holes in front and back. Old lock can be removed by driving out with a small screw driver or its equal.

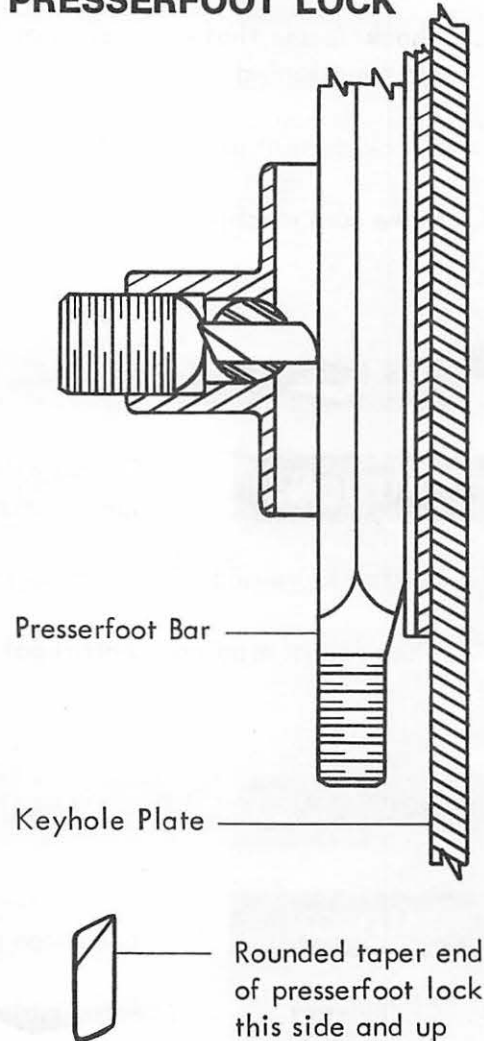
### CAUTION:

If presserfoot lock housing has been removed from the keyhole plate, it will be necessary to line it up again. This can be done by installing the keyhole plate with lock housing secured loosely on the front motor case. The presserfoot bar is then dropped down and should be lined up at the bottom of the stand. Then the lock housing can be secured.

### CAUTION:

When installing new lock, observe orientation carefully (see sketch) or lock will not function.

### INSTALLATION SKETCH OF PRESSERFOOT LOCK



## HALF NUT STOP ADJUSTMENT

DO NOT make this adjustment unless the sharpener is not stopping or unless installing a new half nut. Improper adjustment can cause the sharpener to malfunction.

Remove the half nut tension spring (No.

2445203). Back off adjustment screw (No. 9908832). Hold half nut so it is engaged tightly against left drive bar. Slowly tighten adjustment screw until you can just see the half nut move. Re-install tension spring.

# TROUBLESHOOTING

## MACHINE IS COMPLETELY DEAD

1. Check to see that connectors and plugs are firmly seated and on/off switch is on and functioning.
2. Check current at terminal box for proper voltage and phase.
3. Make sure machine is free.

## MACHINE HUMS BUT WILL NOT START BY ITSELF

### CAUTION:

Do not allow motor to run for more than 15 SECONDS at low speeds or motor will burn out.

1. Be sure knife and slide mechanism are free.
2. Check start windings centrifugal switch and capacitor for proper operation.

## MOTOR STARTS, COMES UP TO SPEED VERY SLOWLY

### CAUTION:

Do not leave motor on for more than 10 SECONDS in this condition or motor will burn out.

1. Check start winding centrifugal switch and capacitor for proper operation.
2. Make sure machine can rotate freely.

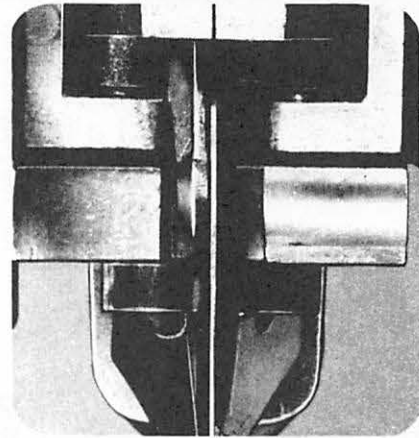
## MOTOR OVERHEATS

1. Make sure air passages and motor are cleaned and free of any obstruction. Check that fan operates properly.
2. Check voltage and current at terminal box on machine to insure that they meet nameplate requirements.
3. Make sure the centrifugal mechanism is operating properly and the start winding is out of the circuit.

From the library of: Superior Sewing Machine & Supply LLC

## STANDARD OVERHEATS

1. Inspect standard and make sure it is not bent.
2. Make sure standard and knife insert are free of lint and dirt.
3. Install a new genuine Gury knife.
4. Make sure standard and centerslide are in line (remove sharpener, remove knife locking screw). Knife should be straight and should just touch tail of centerslide.
5. If cutting heavy material, the use of an oiler for the knife insert is recommended.



## IF THE SHARPENER FAILS TO DROP

1. On new machines or machines that are cold, the sharpener may occasionally hang up. As the half nut lever is activated, cautiously push down on the lower unit. This condition should go away when the machine warms up and is being used.
2. Make sure drive bar cover tubes are not bent. (Remove top cover and try to operate sharpener.)
3. Make sure synchronizer bar is not bent.
4. Make sure drive bars are free of dirt and threads. (This may require disassembly of sharpener.)

## If Sharpener Reaches Top But Chatters And Does Not Stop

1. Make sure drive bars are clean and free of thread and lint.
2. Check for wear on drive bars and halfnut.
3. Check drive bar cover tubes to make sure they are not bent.
4. Check rubber 'O' rings around drive bars on lower unit.

## SHARPENER STARTS DOWN BUT ONLY GOES 1/2" (12mm) & COMES BACK UP

1. Make sure lower unit is stopping in proper position.
2. Make sure you are squeezing half nut all the way and holding until sharpener is well on its way.
3. If a new half nut has been installed, make sure half nut is clear of the slot in the synchronizer bar.
4. Check rotation on 3 Phase machines.

## SHARPENER DROPS 1/2" (12mm) & STAYS THERE OR OPERATES VERY SLOWLY.

1. Check for oil or grease on drive pulley or eccentric and clean with alcohol.

From the library of: Superior Sewing Machine & Supply LLC

# BLADES

## GURY COMET CENTURY BLADE TYPES\*

\*Special alloy Blades are available on request.



**STRAIGHT  
BLADE**  
(REGULAR)



**WAVE  
BLADE**



**LARGE  
U-NOTCH  
BLADE**



**SMALL  
U-NOTCH  
BLADE**

SIZE	MATERIAL	REGULAR	WAVE	LG. U-NOTCH	SM. U-NOTCH
5" 127 mm	HIGH SPEED STEEL	1024100	1024200	1024300	1024400
	CARBON STEEL	1024120			
	TEFLON COATED	1024110	1024210	1024310	1024410
6" 152 mm	HIGH SPEED STEEL	1024101	1024201	1024301	1024401
	CARBON STEEL	1024121			
	TEFLON COATED	1024111	1024211	1024311	1024411
7" 178 mm	HIGH SPEED STEEL	1024102	1024202	1024302	1024402
	CARBON STEEL	1024122			
	TEFLON COATED	1024112	1024212	1024312	1024412
8" 203 mm	HIGH SPEED STEEL	1024103	1024203	1024303	1024403
	CARBON STEEL	1024123			
	TEFLON COATED	1024113	1024213	1024313	1024413
9" 229 mm	HIGH SPEED STEEL	1024104	1024204	1024304	1024404
	CARBON STEEL	1024124			
	TEFLON COATED	1024114	1024214	1024314	1024414
10" 254 mm	HIGH SPEED STEEL	1024105	1024205	1024305	1024405
	CARBON STEEL	1024125			
	TEFLON COATED	1024115	1024215	1024315	1024415
11" 279 mm	HIGH SPEED STEEL	1024106	1024206	1024306	1024406
	CARBON STEEL	1024126			
	TEFLON COATED	1024116	1024216	1024316	1024416
12-1/2" 318 mm	HIGH SPEED STEEL	1024107	1024207	1024307	1024407
	CARBON STEEL				
	TEFLON COATED	1024117	1024217	1024317	1024417
14" 356 mm	HIGH SPEED STEEL	1024108	1024208	1024308	1024408
	CARBON STEEL	1024128			
	TEFLON COATED	1024118	1024218	1024318	1024418

# PARTS MANUAL SECTION

- **WHEN ORDERING PARTS ALWAYS USE THE 'NEW PART NUMBERS' LISTED WITH THE DESCRIPTION.**
- **IF PART NUMBER IS MARKED WITH \* PLEASE FURNISH MACHINE SERIAL NUMBER.**

## **WARNING—**

**EXERCISE DUE CARE IN HANDLING THIS MACHINE TO PREVENT PERSONAL INJURY.**

### **COMET CENTURY DOUBLE GUARANTEE**

1. For the first 30 days; if you are not completely satisfied, return the machine to us prepaid for a full refund of your purchase price.
2. For nine (9) months from date of purchase, J. B. Gury Manufacturing Company will replace or repair free of charge any machine returned to us freight prepaid which is found to be defective in either workmanship or materials. **This guarantee is in lieu of all express or implied warranties or guarantees including, without limitation, merchantability or fitness for purpose.** In all events the manufacturer liability is limited to repair or replacement cost and shall not include consequential damage. **This guarantee does not cover damage due to mis-use or neglect and is void if other than genuine GURY parts, knives, or belts have been used in or on the machine.**

# AUTOMATIC SHARPENER

DRIVE TUBES - SHARPENER HOUSING

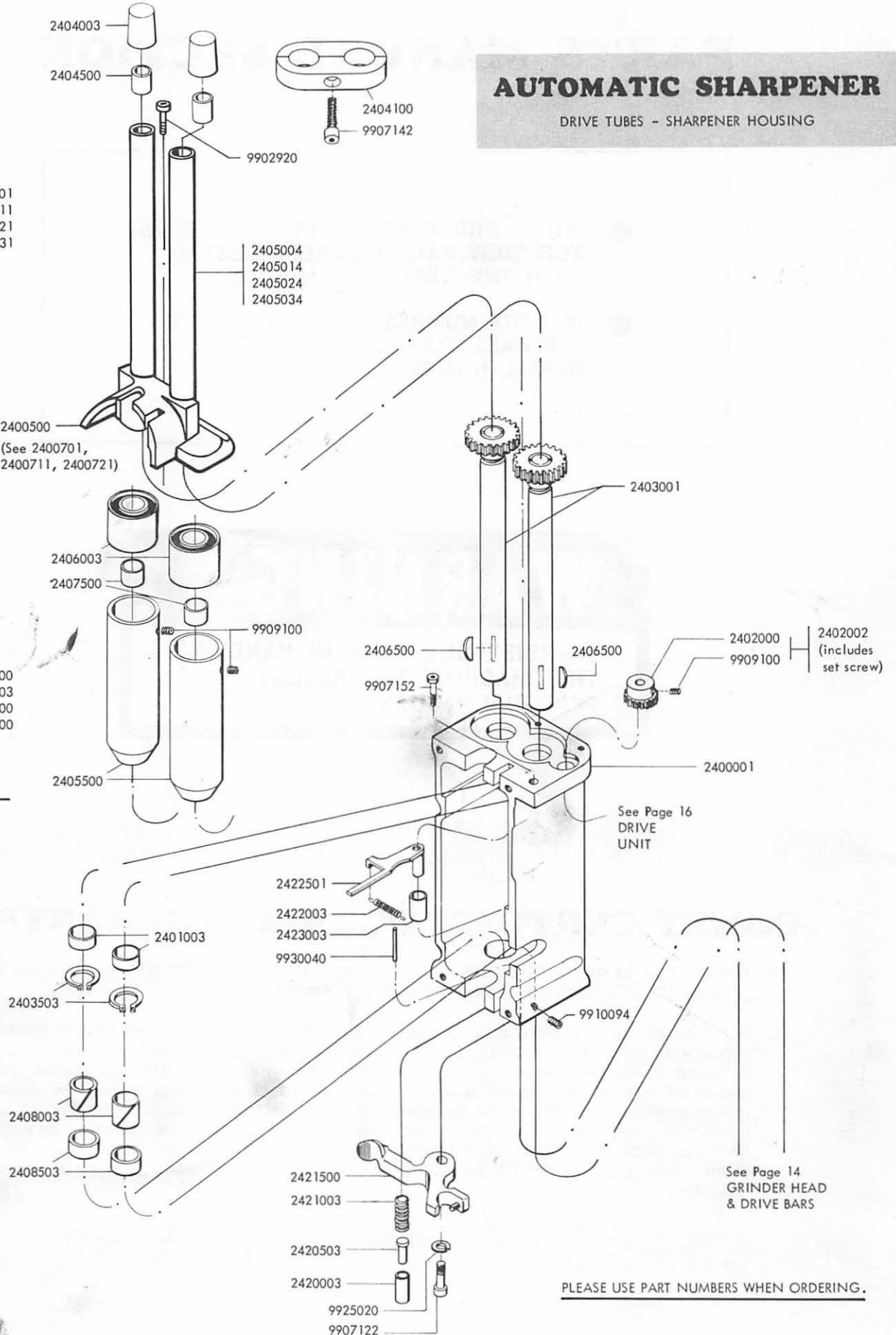
DRIVE  
TUBE COVER  
COMPLETE  
FOR

5", 6", 7" - 2400601  
8", 9" - 2400611  
10", 11" - 2400621  
12", 14" - 2400631

Includes  
2400500  
2404003  
2404500  
24050XX

Optional for  
11" - 2400701  
12" - 2400711  
14" - 2400721

Includes  
2400500 2405500  
2404003 2406003  
2404500 2407500  
24050XX 9909100



PLEASE USE PART NUMBERS WHEN ORDERING.

## PARTS LIST FOR PAGE 12 AUTOMATIC SHARPENER

Old Part #	New Part #	Description	Number Required
24000	2400001	Sharpener Housing (includes 2401003, 2408503, 2423003)	1
*24001	*2400100	Sharpener Unit Complete (give serial #) (not ill.)	1
24005	2400500	Drive Tube Cover	1
24006-567	2400601	Drive Tube Complete 5", 6", 7" (includes 2400500, 2404003, 2404500,	1
24006-89	2400611	Drive Tube Complete 8", 9" } 24050XX Drive Bar	1
24006-1011	2400621	Drive Tube Complete 10", 11" } Cover)	1
24006-1214	2400631	Drive Tube Complete 12", 14" }	1
24006A-11	2400701	Optional Drive Tube Cover Complete for 11" Machine (See ill. pg. 12)	
24006A-12	2400711	Optional Drive Tube Cover Complete for 12" Machine (See ill. pg. 12)	
24006A-14	2400721	Optional Drive Tube Cover Complete for 14" Machine (See ill. pg. 12)	
24010	2401003	Oilite Bushing	2
24020-A	2402000	Gear	1
24020	2402002	Gear & Set Screw (9909100)	1
24030	2403001	Drive Tube	2
24035	2403503	Snap Ring	2
24040	2404003	Plastic Cap	2
24041	2404100	Support for Drive Bar Cover (14" machines only)	1
24045	2404500	Teflon Insert 1/2" O. D. x 7/16" I. D.	2
24050-567	2405004	Drive Bar Cover 5", 6", 7" machines	2
24050-89	2405014	Drive Bar Cover 8", 9" machines	2
24050-1011	2405024	Drive Bar Cover 10", 11" machines	2
24050-1214	2405034	Drive Bar Cover 12", 14" machines	2
24055	2405500	Vibration Dampener (11" & 14" mach. only)	2
24060	2406003	Bonded Mount for 2405500	2
24065	2406500	Drive Key	2
24075	2407500	Rubber Dampening Bands	2
24080	2408003	Split Ring to secure keys	2
24085	2408503	Needle Bearings for 2400001	2
24200	2420003	Housing for Push Plunger	1
24205	2420503	Push Plunger	1
24210	2421003	Spring for Push Plunger	1
24215	2421500	Half Nut Engagement Plate (Acme Thd.)	1
24220	2422003	Spring for Tension Plate	1
24225	2422501	Tension Plate	1
24230	2423003	Bushing for Tension Plate	1
24015	9902920	Screw 8-32 x 5/8 Fill. Hd. Pl.	1
24071	9907122	Screw 10-32 x 1/2 Skt. Hd. Cap	1
24042	9907142	Screw 10-32 x 3/4 Skt. Hd. Cap	1
24070	9907152	Screw 10-32 x 5/8 Skt. Hd. Cap Pl.	1
24025	9909100	Screw 10-32 x 3/16 Skt. Hd. Set	(2) (1)
24174	9910094	Screw 1/4-20 x 3/8 Brass Tip Nylok Set	1
24275	9925020	Lock Washer	1
24235	9930040	Roll Pin 3/32" x 3/4"	1

\*Give Serial No. of Machine - These parts cannot be furnished without appropriate information.

PLEASE USE PART NUMBERS WHEN ORDERING.

# AUTOMATIC SHARPENER

GRINDER HEAD  
PULLEY UNIT COMPLETE  
DRIVE BARS

See Page 12  
Sharpener Housing

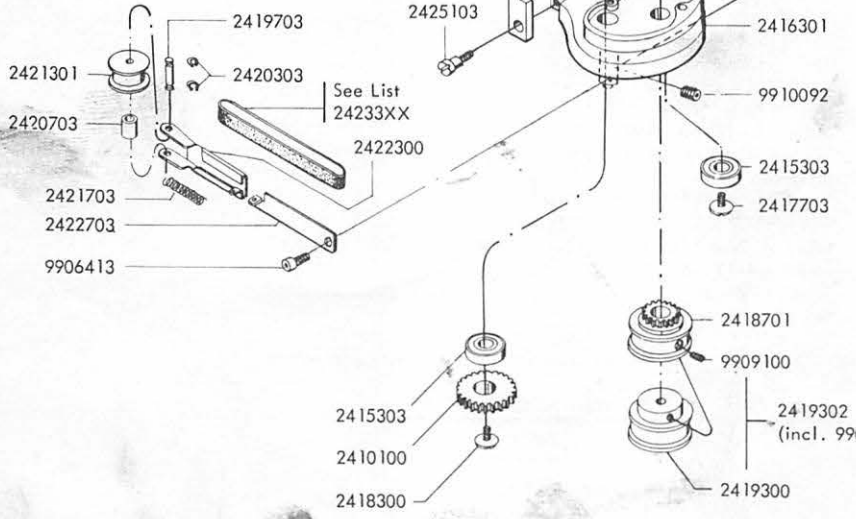
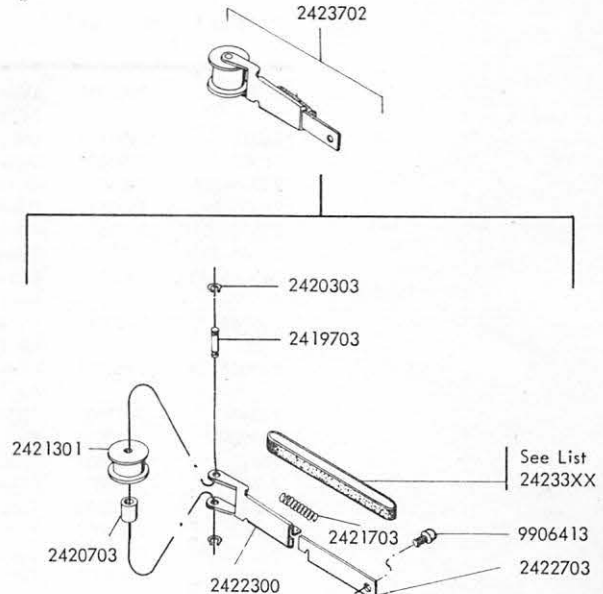
PLEASE USE PART NUMBERS

WHEN ORDERING.

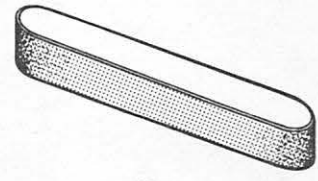
- 2410000
- 2410010
- 2410020
- 2410030

- 2409501
- 2409511
- 2409521
- 2409531
- 2409541
- 2409551
- 2409561
- 2409571
- 2409581

- 2424001
- 2424101
- 2424111
- 2424201
- 2424211
- 2424221
- 2424301
- 2424311
- 2424401
- 2424411
- 2424501
- 2424601
- 2424701
- 2424801



## BELTS



Part #	Description
2423303	Smooth Emery Belt
2423313	Extra Fine Emery Belt
2423323	Fine Emery Belt
2423333	Medium Emery Belt
2423343	Coarse Emery Belt



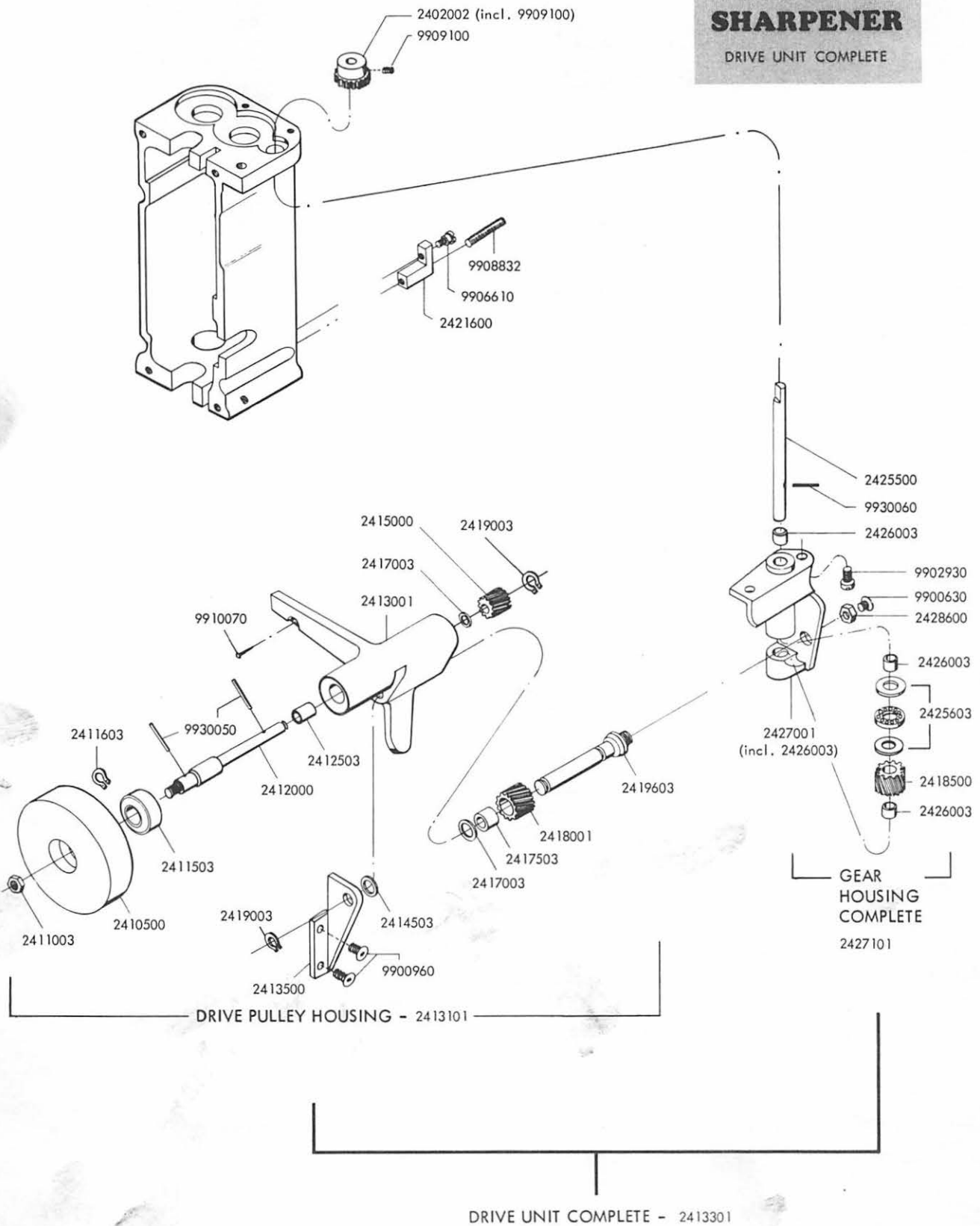
## PARTS LIST FOR PAGE 14 AUTOMATIC SHARPENER

Old Part #	New Part #	Description	Number Required
24090	2409003	Rubber-O-Ring	2
24095-5	2409501	Right Drive Bar 5" (Triple Thread)	1
24095-6	2409511	Right Drive Bar 6" (Triple Thread)	1
24095-7	2409521	Right Drive Bar 7" (Triple Thread)	1
24095-8	2409531	Right Drive Bar 8" (Triple Thread)	1
24095-9	2409541	Right Drive Bar 9" (Triple Thread)	1
24095-10	2409551	Right Drive Bar 10" (Triple Thread)	1
24095-11	2409561	Right Drive Bar 11" (Triple Thread)	1
24095-12	2409571	Right Drive Bar 12" (Triple Thread)	1
24095-14	2409581	Right Drive Bar 14" (Triple Thread)	1
24100-567	2410000	Left Drive Bar 5", 6", 7" (Acme Thread)	1
24100-89	2410010	Left Drive Bar 8", 9" (Acme Thread)	1
24100-1011	2410020	Left Drive Bar 10", 11" (Acme Thread)	1
24100-1214	2410030	Left Drive Bar 12", 14" (Acme Thread)	1
24101	2410100	Gear for Left Drive Bar	1
24147	2414701	Gear and Shaft	1
24153	2415303	Ball Bearing	3
24157	2415703	Oilite Bushing	1
24163	2416301	Grinder Frame (includes 2415703)	1
24165	2416503	Gear Cover	1
24177	2417703	Screw 8-32 L. H. Special	1
24183	2418300	Screw 8-32 x 3/16 Truss Hd. Hard	1
24187	2418701	Top Drive Pulley	1
24193	2419300	Bottom Drive Pulley	1
24193	2419302	Bottom Drive Pulley (includes screw 9909100)	1
24197	2419703	Back Pulley Shaft	(1) (1)
24203	2420303	Snap Ring for Pulley Shaft	(2) (2)
24207	2420703	Needle Bearing	(1) (1)
24213	2421301	Back Pulley (includes 2420703)	(1) (1)
24217	2421703	Spring for Belt Tension	(1) (1)
24223	2422300	Pulley Holder	(1) (1)
24227	2422703	Flat Spring for Pulley Holder	(1) (1)
24233-S	2423303	Smooth Emery Belt	(1) (1)
24233-XF	2423313	Extra Fine Emery Belt	(1) (1)
24233-F	2423323	Fine Emery Belt	(1) (1)
24233-M	2423333	Medium Emery Belt	(1) (1)
24233-C	2423343	Coarse Emery Belt	(1) (1)
24237	2423702	Pulley Holder Complete	2
24243-52	2424001	Synchronizer Bar 5" - 1-1/4 Stroke	1
24243-62	2424101	Synchronizer Bar 6" - 1-1/4 Stroke	1
24243-64	2424111	Synchronizer Bar 6" - 1-1/2 Stroke	1
24243-72	2424201	Synchronizer Bar 7" - 1-1/4 Stroke	1
24243-74	2424211	Synchronizer Bar 7" - 1-1/2 Stroke	1
24243-75	2424221	Synchronizer Bar 7" - 1-5/8 Stroke	1
24243-84	2424301	Synchronizer Bar 8" - 1-1/2 Stroke	1
24243-85	2424311	Synchronizer Bar 8" - 1-5/8 Stroke	1
24243-94	2424401	Synchronizer Bar 9" - 1-1/2 Stroke	1
24243-95	2424411	Synchronizer Bar 9" - 1-5/8 Stroke	1
24243-104	2424501	Synchronizer Bar 10" - 1-1/2 Stroke	1
24243-114	2424601	Synchronizer Bar 11" - 1-1/2 Stroke	1
24243-124	2424701	Synchronizer Bar 12" - 1-1/2 Stroke	1
24243-144	2424801	Synchronizer Bar 14" - 1-1/2 Stroke	1
24247	2425103	Screw 6-32 x 3/16 Shldr. 1/8 Fil. Hd. Special	1
24160	9900240	Screw 4-40 x 3/16 Rd. Hd. Pl.	1
24167	9906413	Screw 5-40 x 1/4 Skt. Hd. Cap	2
24025	9909100	Screw 10-32 x 3/16 Skt. Hd. Set	1
24174	9910092	Screw 1/4-20 x 3/8 Brass Tip Nylok Set	1

PLEASE USE PART NUMBERS WHEN ORDERING.

# AUTOMATIC SHARPENER

DRIVE UNIT COMPLETE



PLEASE USE PART NUMBERS WHEN ORDERING.

## PARTS LIST FOR PAGE 16 AUTOMATIC SHARPENER

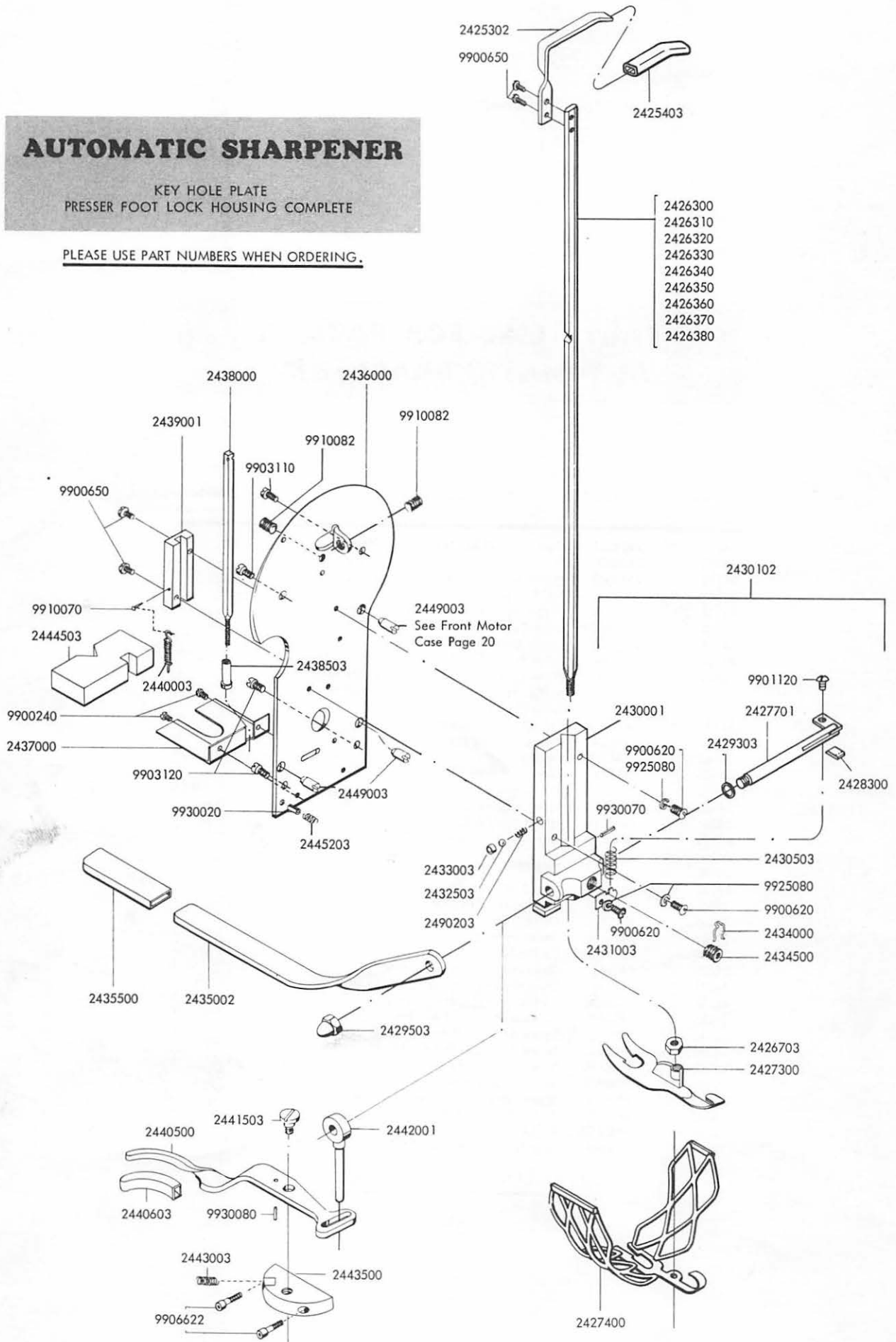
Old Part #	New Part #	Description	Number Required
24020	2402002	Gear for 2425500 Shaft (incl. 9909100)	1
24105	2410500	Drive Pulley	1
24110	2411003	Nut to secure Drive Pulley - Special	1
24115	2411503	Ball Bearing for 2413001	1
24116	2411603	Snap Ring to secure Bearing	1
24120	2412000	Drive Pulley Shaft	1
24125	2412503	Oilite Bearing	1
24130	2413001	Drive Pulley Housing (incl. 2412503, 9910070)	1
24131	2413101	Drive Pulley Housing Complete (See drwg. on Pg. 16 - Bracket indicates which parts are included in this unit.)	1
24133	2413301	Drive Unit Complete	1
24135	2413500	Pulley Housing Bracket	1
24145	2414503	Washer Steel	1
24150	2415000	Gear on Pulley Shaft	1
24170	2417003	Oilite Washer	(1) (1)
24175	2417503	Needle Bearing	1
24180	2418001	Idler Gear (incl. 2417503)	1
24185	2418500	Gear for Drive Shaft	1
24154 } 24190 }	2419003	Retaining Ring	1
24196	2419603	Idler Shaft - 1/4" diam.	1
24245	2421600	Housing for Half Nut Stop	1
24255	2425500	Drive Shaft	1
24265	2425603	Thrust Bearing	1
24260	2426003	Oilite Bushing	3
24270	2427001	Gear Housing (incl. 2426003)	1
24271	2427101	Gear Housing Complete with Shaft & Gear	1
24286	2428600	Nut for Idler Shaft - Special	1
24285	9900630	Screw 6-32 x 3/16 Rd. Hd. Pl.	1
24140	9900660	Screw 8-32 x 3/8 Rd. Hd. Pl.	2
24280	9902930	Screw 8-32 x 7/16 Fil. Hd. Pl.	1
24240	9906610	Screw 6-32 x 3/8 Skt. Hd. Cap	1
24250	9908832	Screw 8-32 x 1 Skt. Hd. Set	1
24025	9909100	Screw 10-32 x 3/16 Skt. Hd. Set	(1)
24395	9910070	Drive Pin # 1 x 3/4	1
24155	9930050	Roll Pin 3/32" x 7/16"	2
24156	9930060	Roll Pin 3/32" x 1/2"	1

PLEASE USE PART NUMBERS WHEN ORDERING.

# AUTOMATIC SHARPENER

KEY HOLE PLATE  
PRESSER FOOT LOCK HOUSING COMPLETE

PLEASE USE PART NUMBERS WHEN ORDERING.

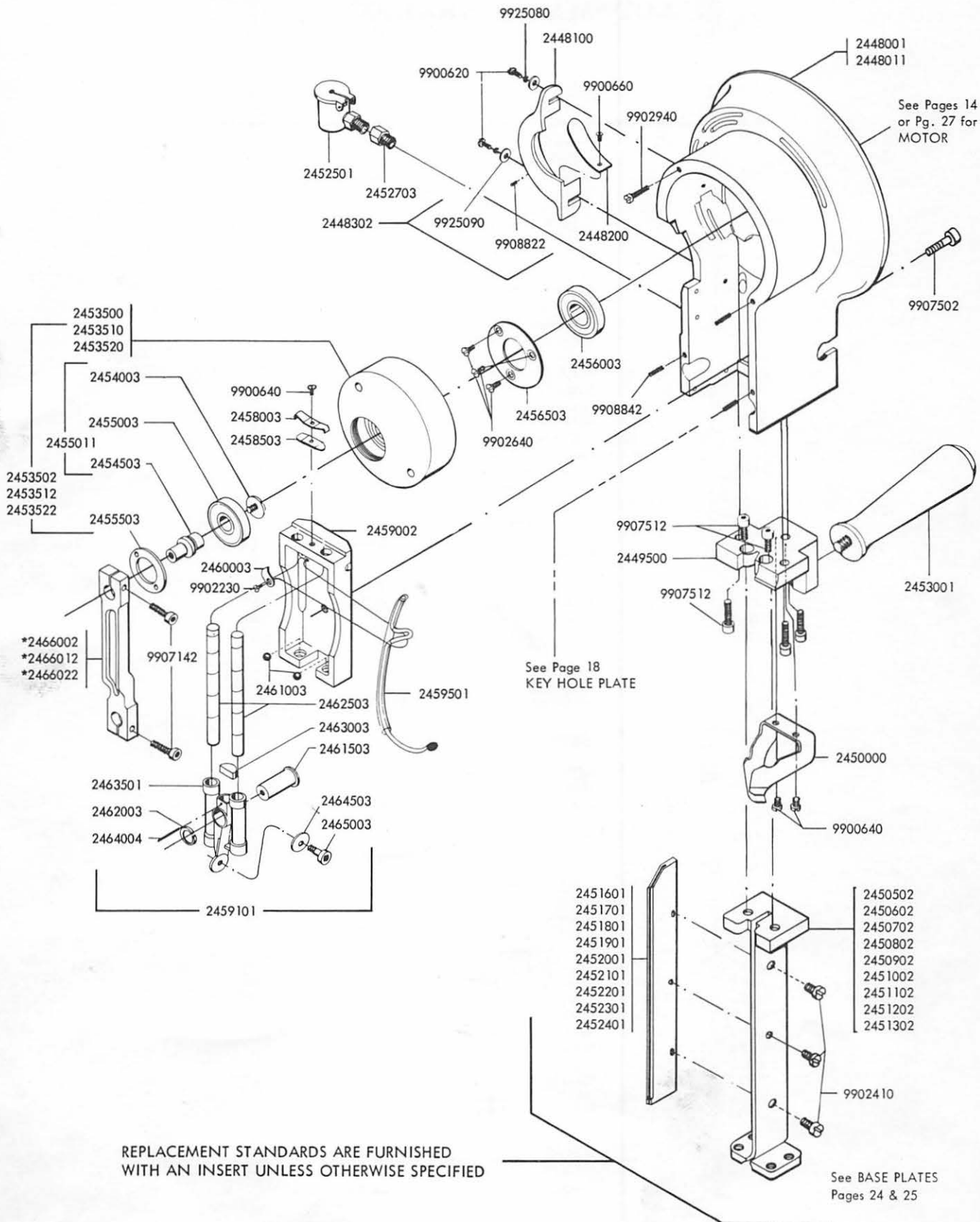


## PARTS LIST FOR PAGE 18 AUTOMATIC SHARPENER

Old Part #	New Part #	Description	Number Required
24253	2425302	Lift Handle for Presser Foot Bar (includes plastic cover)	1
24254	2425403	Plastic Cover for Presser Foot Bar Handle	1
24263-5	2426300	Presser Foot Bar 5" Machine	1
24263-6	2426310	Presser Foot Bar 6" Machine	1
24263-7	2426320	Presser Foot Bar 7" Machine	1
24263-8	2426330	Presser Foot Bar 8" Machine	1
24263-9	2426340	Presser Foot Bar 9" Machine	1
24263-10	2426350	Presser Foot Bar 10" Machine	1
24263-11	2426360	Presser Foot Bar 11" Machine	1
24263-12	2426370	Presser Foot Bar 12" Machine	1
24263-14	2426380	Presser Foot Bar 14" Machine	1
24267	2426703	Nut to lock Presser Foot - Special	1
24273	2427300	Presser Foot	1
24274	2427400	OSHA presser Foot with Basket Guard	1
24277	2427701	Presser Foot Lock Holder (incl. 9901120, 2429303)	1
24283	2428300	Presser Foot Lock	1
24293	2429303	Nylon Washer 5/16	1
24295	2429503	Nut to lock Presser Foot Trigger	1
24300	2430001	Presser Foot Housing	1
24301	2430102	Presser Foot Lock Housing Complete (incl. 2430001, 2427701, 2428300, 2434500, 2430503)	1
24305	2430503	Spring for Presser Foot Tension	1
24310	2431003	Spring Retainer Plate	1
24325	2432503	Steel Ball	1
24330	2433003	Ball and Spring Retainer	1
24340	2434000	Spring Clip	1
24345	2434500	Screw 3/8-20 x 1/2 Skt. Hd. Set Hard	1
24350	2435002	Presser Foot Trigger (includes Plastic Cover)	1
24355	2435500	Plastic Cover for Trigger	1
24360	2436000	Key Hole Plate (includes 9030020)	1
24370	2437000	Lint Protector	1
24380	2438000	Sharpener Stop Bar	1
24385	2438503	Adjusting Screw for Stop Bar	1
24390	2439001	Holder for Stop Bar (includes 9910070)	1
24400	2440003	Spring for Pulley Tension	1
24405	2440500	Squeeze Type Presser Foot Trigger (includes plastic cover)	1
24440	2444003	Plastic Cover for Trigger	1
24415	2441503	Screw Shoulder Special	1
24420	2442001	Presser Foot Lock Release	1
24430	2443003	Return Spring	1
24435	2443500	Trigger Support	1
24445	2444503	Felt Pad	1
24452	2445203	Return Spring for Half Nut	1
24490	2449003	Cap Nut - Special	3
24320	2490203	Spring	1
24160	9900240	Screw 4-40 x 3/16 Rd. Hd. Pl.	2
24335	9900620	Screw 6-32 x 1/2 Rd. Hd. Pl.	3
24257	9900650	Screw 6-32 x 5/16 Rd. Hd. Pl.	(2) (2)
24287	9901120	Screw 10-32 x 1/4 Rd. Hd. Pl.	1
24365	9903110	Screw 10-32 x 3/8 Fill Hd. Pl.	2
24366	9903120	Screw 10-32 x 1/4 Fill. Hd. Pl.	2
24425	9906622	Screw 6-32 x 1/2 Skt. Hd. Cap	2
24395	9910070	Drive Pin #1 x 3/4	1
24173	9910082	Screw 1/4 x 3/8 Nylon Set	2
24450	9925080	Lock Washer #6	3
24447	9930020	Roll Pin 1/8 x 3/8	1
24315	9930070	Roll Pin 3/32 x 9/16	1
24410	9930080	Roll Pin 1/16 x 3/8	1

PLEASE USE PART NUMBERS WHEN ORDERING.

# FRONT MOTOR CASE & CROSS SLIDE



Old Part #	New Part #	Description	Number Required
24480-1	2448001	Front Motor Case - Single Speed	1
24480-2	2448011	Front Motor Case - Dual Speed	1
24481	2448100	Pulley Cover	1
24482	2448200	Pulley Brake	1
24483	2448302	Pulley Cover Complete (includes 2448100, 2448200, 9908822, 9900660)	1
24505	2449500	Supplementary Block	1
25015	2450000	Pulley Spreader	1
24515-5	2450502	Standard 5" (includes insert)	1
24515-6	2450602	Standard 6" (includes insert)	1
24515-7	2450702	Standard 7" (includes insert)	1
24515-8	2450802	Standard 8" (includes insert)	1
24515-9	2450902	Standard 9" (includes insert)	1
24515-10	2451002	Standard 10" (includes insert)	1
24515-11	2451102	Standard 11" (includes insert)	1
24515-12	2451202	Standard 12" (includes insert)	1
24515-14	2451302	Standard 14" (includes insert)	1
24520	2451601	Insert 5"	1
24520	2451701	Insert 6"	1
24520	2451801	Insert 7"	1
24520	2451901	Insert 8"	1
24520	2452001	Insert 9"	1
24520	2452101	Insert 10"	1
24520	2452201	Insert 11"	1
24520	2452301	Insert 12"	1
24520	2452401	Insert 14"	1
24525	2452501	Oil Cup	1
24526	2452703	Oil Cup Adapter	1
24530	2453001	Handle	1
24535-2	2453500	Eccentric 1-1/4 Stroke	1
24536	2453502	Eccentric Complete 1-1/4 Stroke (includes 2454003, 2454503, 2455003, 2455503)	1
24535-4	2453510	Eccentric 1-1/2 Stroke	1
24536	2453512	Eccentric Complete 1-1/2 Stroke (includes 2454003, 2454503, 2455003, 2455503)	1
24535-5	2453520	Eccentric 1-5/8 Stroke	1
24536	2453522	Eccentric Complete 1-5/8 Stroke (includes 2454003, 2454503, 2455003, 2455503)	1
24540	2454003	Screw to lock stud in bearing	1
24545	2454503	Stud	1
24550	2455003	Ball Bearing for Eccentric	1
24551	2455011	Bearing Complete with Stud & Locking Screw	1
24555	2455503	Ring to lock Bearing	1
24560	2456003	Bearing for Front & Back Motor Cases	1
24565	2456503	Plate to clamp Bearing	1
24580	2458003	Flat Spring to secure Slides	1
24585	2458503	Bottom Spring	1
24590-2,4,5	2459002	Slide Box (includes 2459501)	1
24591-2,4,5	2459101	Slide Box Complete (incl. 9900640, 2458003, 2458503, 2459002, 2459501, 2460003, 9902230, 2461003, 2462003, 2462503, 2465003, 2463501)	1
24595-2,4,5	2459501	Oil Tube & Wick	1
24600	2460003	Clamp to secure Oil Wick	1
24610	2461003	Ball Support for Side Slides	1
24615	2461503	Wrist Pin	1
24620	2462003	Teflon Washer for Wrist Pin	1
24625	2462503	Side Slides	2
24630	2463003	Felt Insert for Center Slide	1
24635	2463501	Center Slide (incl. 2461503, 2463003, 2464004)	1
24640	2464004	Pin to secure Felt Insert	1
24645	2464503	Locking Washer for Knife	1
24650	2465003	Screw for Locking Knife - Special	1
24660-2	*2466002	Connecting Bar 1-1/4 Stroke (incl. 9907142)	1
24660-4	*2466012	Connecting Bar 1-1/2 Stroke (incl. 9907142)	1
24660-5	*2466022	Connecting Bar 1-5/8 Stroke (incl. 9907142)	1
24335	9900620	Screw 6-32 x 1/2 Rd. Hd. Pl.	2
24575	9900640	Screw 6-32 x 1/4 Rd. Hd. Pl.	2
24805	9900660	Screw 6-32 x 1/8 Rd. Hd. Pl.	1
24486	9902230	Screw 4-40 x 1/4 Flat Hd. Pl.	1
24605	9902410	Screw 5-40 x 3/16 Fill Hd. Pl.	3
24510	9902640	Screw 6-32 x 1/4 Flat Hd. Pl.	3
24570	9902940	Screw 8-32 x 3/8 Fill. Hd. Pl.	1
24491	9907142	Screw 10-32 x 3/4 Skt. Hd. Cap	2
24655	9907502	Screw 1/4-20 x 3/4 Skt. Hd. Cap Screw	1
24485	9907512	Screw 1/4-20 x 1/2 Skt. Hd. Cap	5
24500	9908822	Screw 8-32 x 3/16 Skt. Hd. Set	1
24484	9908842	Screw 8-32 x 3/8 Skt. Hd. Set	3
24495	9925080	Lock Washer #6	2
24450	9925090	Washer #6	2
24451			2

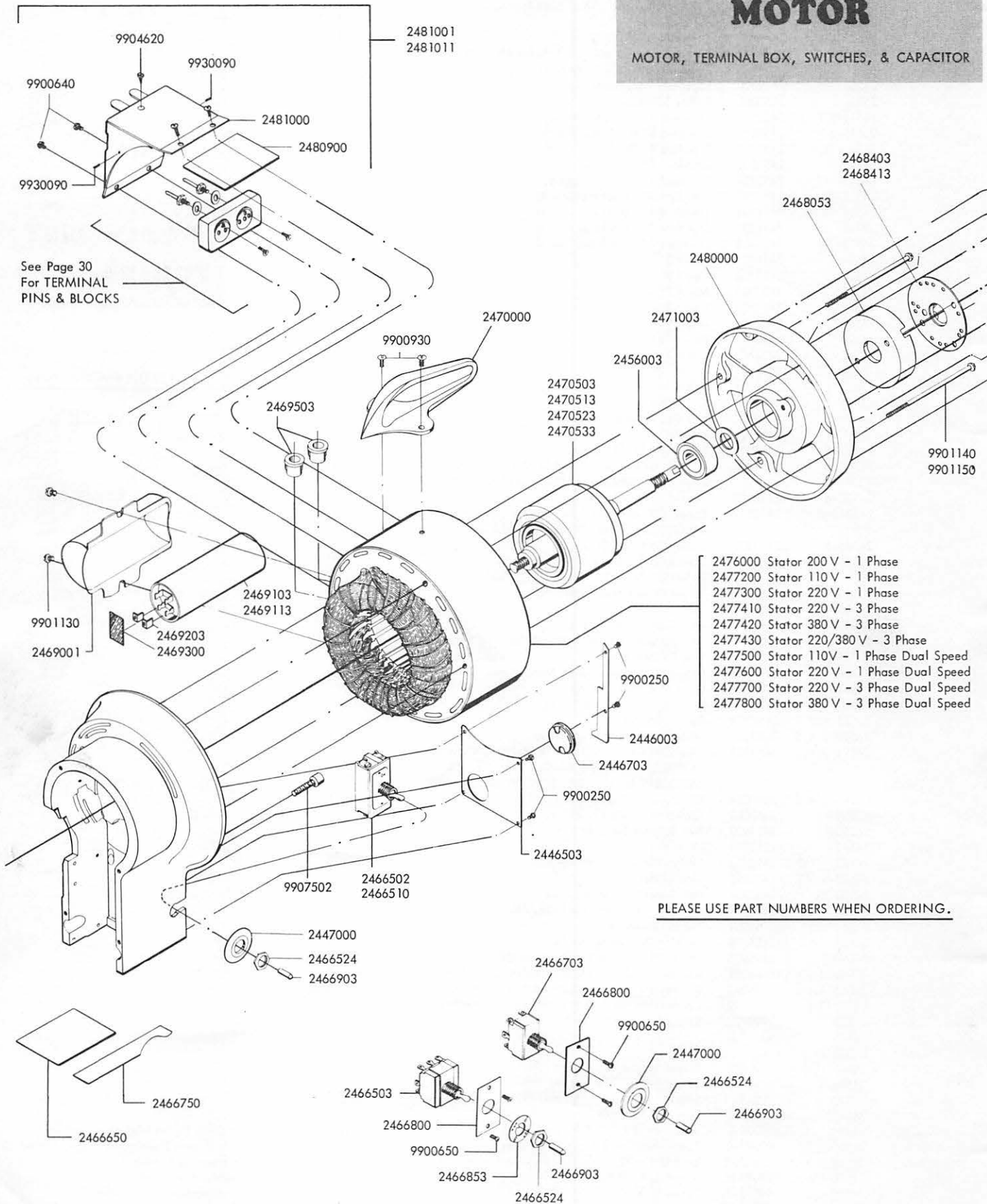
**PARTS LIST  
FOR PAGE 20**

PLEASE USE PART NUMBERS  
WHEN ORDERING.

\* Give Serial No. of Machine - These parts cannot be furnished without appropriate information.

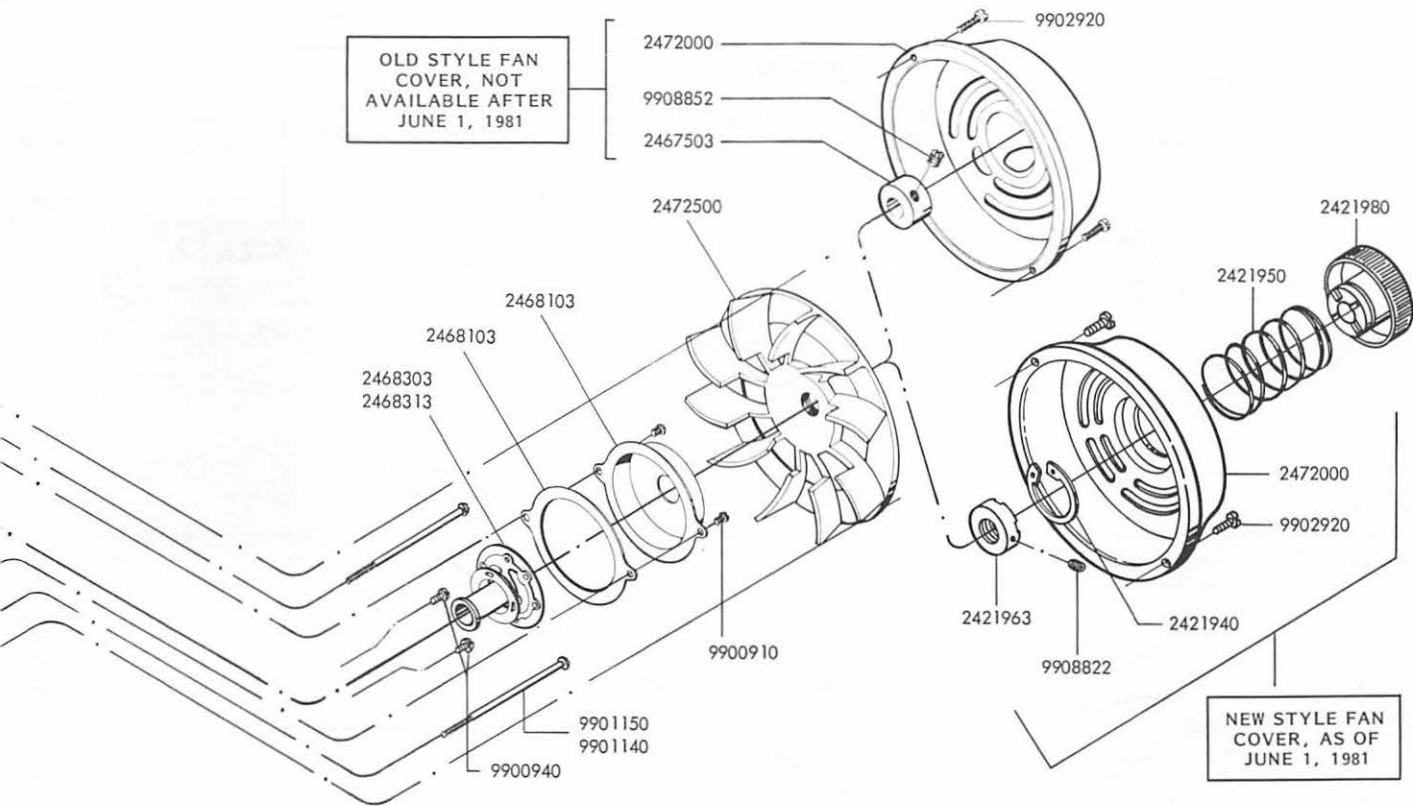
# MOTOR

MOTOR, TERMINAL BOX, SWITCHES, & CAPACITOR



PLEASE USE PART NUMBERS WHEN ORDERING.





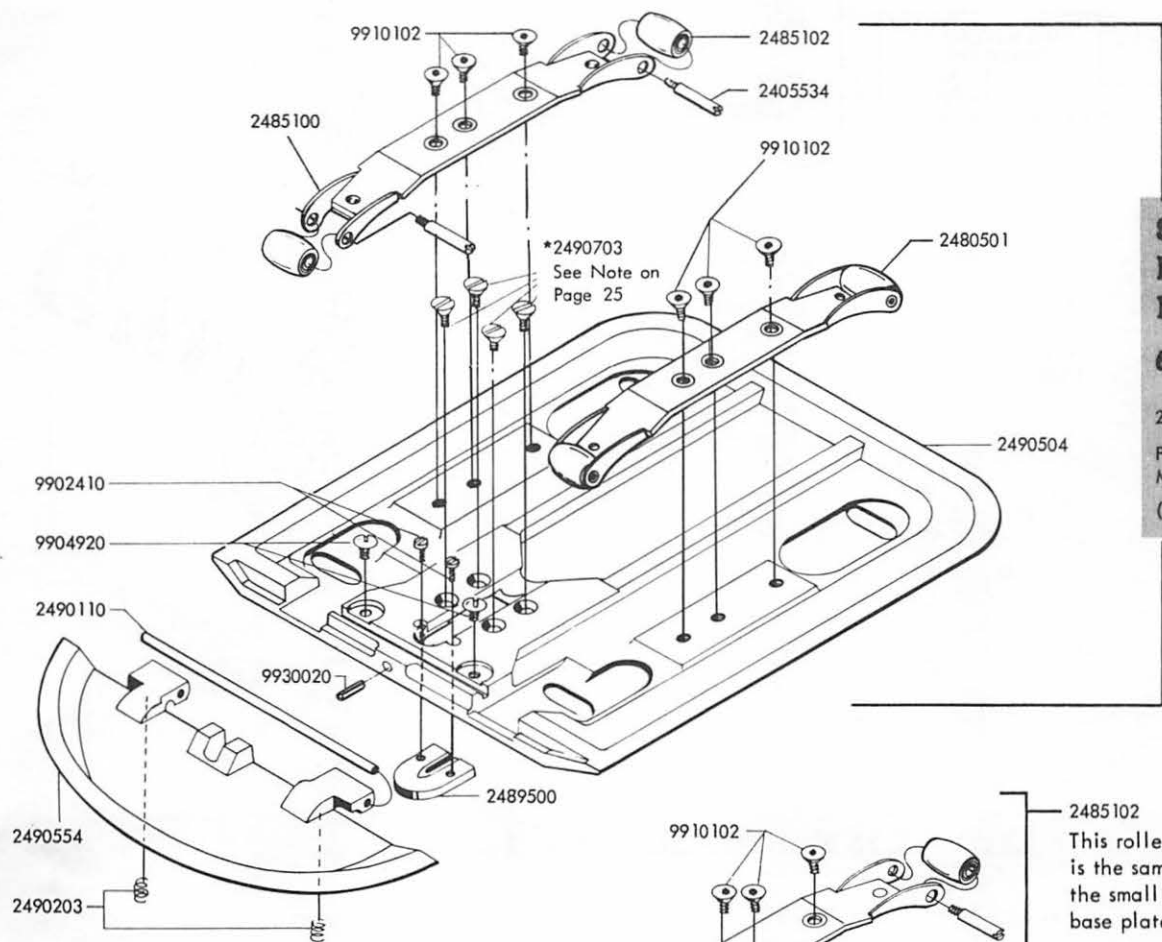
## PARTS LIST FOR PAGES 22 & 23

Old Part #	New Part #	Description	Number Required	Old Part #	New Part #	Description	Number Required
	2421940	Retaining Ring	1	24705	2470523	Rotor - Dual Speed 1 Ph.	1
	2421950	Spring	1	24705	2470533	Rotor - Dual Speed 3 Ph.	1
	2421963	Threaded Collar (Includ. 9908822)	1	24710	2471003	Washer - Special	1
	2421980	Turning Knob	1	2472000	2472000	Fan Cover, New Style (Old style no longer available)	1
24460	2446003	Presser Foot Triger Stop	1	24725	2472500	Fan	1
24465	2446503	Switch Cover	1		2476000	Stator 200V - 1 Phase	1
24467	2446703	Oil Sight Window	1	24772	2477200	Stator 110V - 1 Phase	1
24470	2447000	Washer to secure Switch	1	24773	2477300	Stator 220V - 1 Phase	1
24560	2456003	Bearing for Back Motor Case	1	24774-1	2477410	Stator 220V - 3 Phase	1
24690-1	2466502	Switch Single Speed - 1 Phase	1	24774-2	2477420	Stator 380V - 3 Phase	1
24665	2466503	Switch Dual Speed - 3 Phase	1	24774-3	2477430	Stator 220/380V - 3 Phase	1
24690-3	2466510	Switch Single Speed - 3 Phase	1	24775	2477500	Stator 110V - 1 Phase Dual Speed	1
24691	2466523	Wire Jumper (not shown)	1	24776	2477600	Stator 220V - 1 Phase Dual Speed	1
24475	2466524	Nut to secure Switch	1	24777	2477700	Stator 220V - 3 Phase Dual Speed	1
24666	2466650	Insulation for 2466503 Switch	1	24778	2477800	Stator 380V - 3 Phase Dual Speed	1
24685	2466703	Switch Dual Speed - Single Phase	1	24800	2480000	Back Motor Case	1
24686	2466750	Insulation for 2466703 Switch	1	24827	2480900	Insulator (Terminal Box)	1
24670	2466800	Plate to secure Dual Speed Switch	1	24820	2481000	Terminal Box (includes 2480900)	1
24675	2466853	Switch Position Plate for D.S. Machine	1	24826	*2481001	Terminal Box 1 Phase Complete (specify pins)	1
24680	2466903	Plastic Cover for Switch Toggle	1	24821	2481011	Terminal Box 3 Phase Complete	1
24735	2467503	Turning Knob (incl. 9908852)	1	24455	9900250	Screw 4-40 x 1/4 Rd. Hd. Pl.	4
24740	2468003	Break Cover	1	24805	9900640	Screw 6-32 x 1/4 Rd. Hd. Pl.	2
24785	2468053	Cutout Switch Mount	1	24257	9900650	Screw 6-32 x 5/16 Rd. Hd. Pl.	2
24741	2468103	Gasket for Breaker Cover	1	24739	9900910	Screw 8-32 x 5/16 Rd. Hd. Pl.	2
24750	2468303	Centrifugal Mechanism - Single Speed (includes tube)	1	24695	9900930	Screw 8-32 x 3/8 Rd. Hd. Pl.	2
24751	2468313	Centrifugal Mechanism - Dual Speed (includes tube)	1	24795	9900940	Screw 8-32 x 1/2 Rd. Hd. Pl.	2
24790	2468403	Cutout Switch Single Speed	1	24755	9901130	Screw 10-32 x 3/16 Rd. Hd. Pl.	2
24791	2468413	Cutout Switch Dual Speed	1	24780	9901140	Screw 10-32 x 3-1/2 Rd. Hd. Pl. for Single Speed Stator	4
24760	2469001	Capacitor Cover (incl. 2469300)	1	24781	9901150	Screw 10-32 x 3-27/32 Rd. Hd. Pl. for Dual Speed Stator	4
24765-1	2469103	Capacitor 110V	1	24715	9902920	Screw 8-32 x 5/8 Fill. Hd. Pl.	2
24765-3	2469113	Capacitor 220V	1	24810	9904620	Screw 6 x 1/4 Pan Hd. Self Tap	1
24766	2469203	Connector	2	24485	9907502	Screw 1/4-20 x 3/4 Skt. Cap	1
24767	2469300	Insulator	1	9908822	9908822	Set Screw 8-32 x 3/16 Sk. Hd.	1
24770	2469503	Wire Grommet	2	24730	9908852	Screw 1/4-20 x 3/4 Skt. Hd. Set	1
24700	2470000	Lift Handle	1	24815	9930090	Roll Pin 3/32 x 5/16	2
24705	2470503	Rotor - Single Speed 1 Ph.	1				
24705	2470513	Rotor - Single Speed 3 Ph.	1				

\*Give Serial Number of Machine - These parts cannot be furnished without appropriate information.

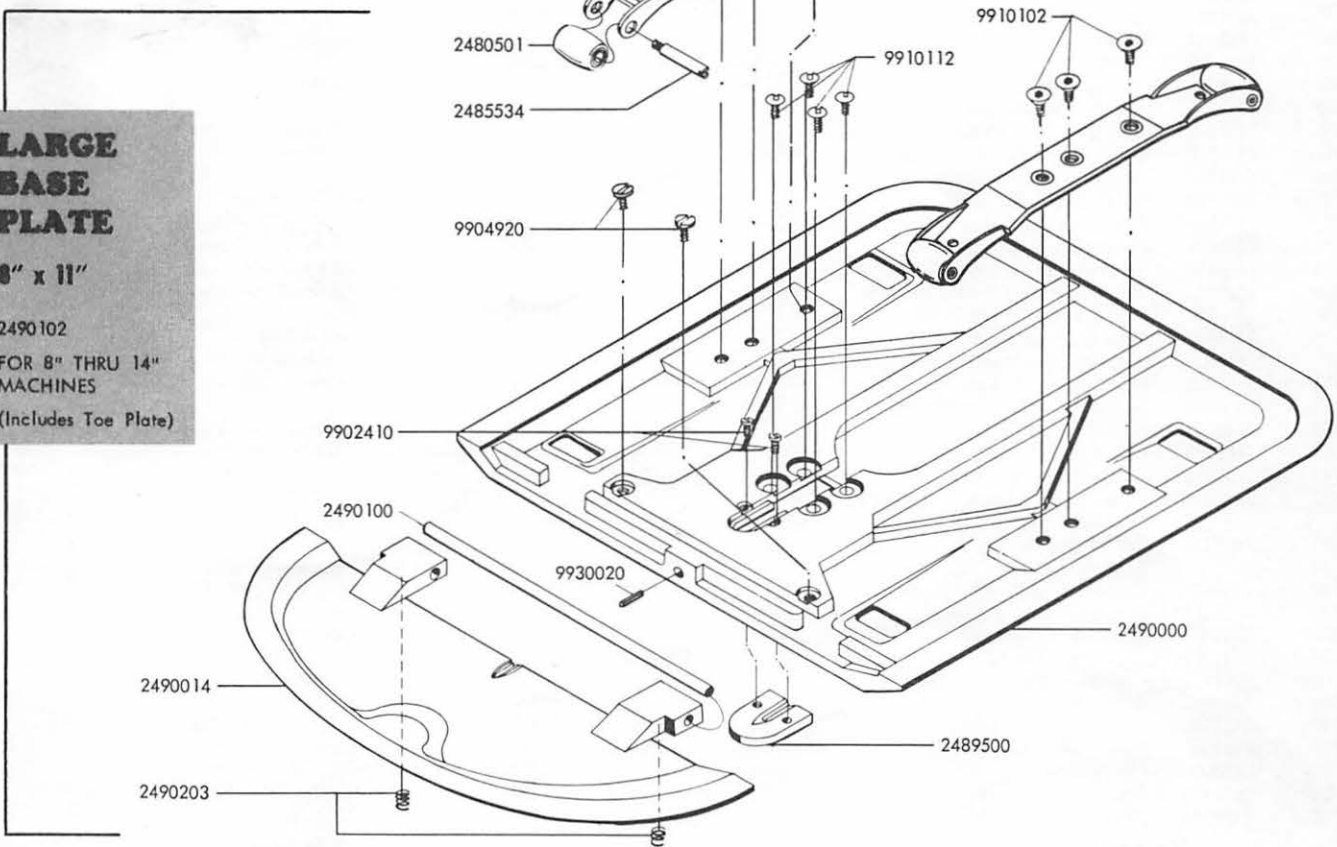
From the library of: Superior Sewing Machine & Supply LLC

**SMALL  
BASE  
PLATE**  
6-7/8" x 10"  
2490502  
FOR 5" & 6"  
MACHINES  
(Includes Toe Plate)



2485102  
This roller assembly  
is the same for both  
the small & large  
base plates.

**LARGE  
BASE  
PLATE**  
8" x 11"  
2490102  
FOR 8" THRU 14"  
MACHINES  
(Includes Toe Plate)



## SMALL BASE PLATE

Old Part #	New Part #	Description	Number Required
24885	2405534	Shaft for Base Roller	(2) (2)
24875	2485100	Base Spring	2
24871	2485102	Base Spring Complete (This will fit both the small and large base plates - includes 2405534, 2485100, 2485501)	2
24880	2485501	Base Roller	(2) (2)
24910	2489500	Toe Plate	1
24980	2490110	Rod for Flap	1
24930	2490203	Flap Spring	2
24963	2490502	Small Base Plate Complete Aluminum	1
24960	2490504	Small Aluminum Base Plate	1
24965	2490554	Flap for Small Aluminum Base	1
24975	*2490703	Screw 10-32 x 1/4 oval hd.	4
24895	9902410	Screw 5-40 x 3/16 fill. hd. pl.	2
24970	9904920	Screw 8-32 x 3/16 truss hd.	2
24870	9910102	Screw 10-32 x 1/4 flat hd. skt.	(3) (3)
24915	9930020	Roll Pin 1/8 x 3/8	1

\* **NOTE:** New models may use oval head socket drive screw with a counterbored hole instead of oval head slotted screw with countersunk hole. If your machine has socket head screws, substitute Part Number 9910102.

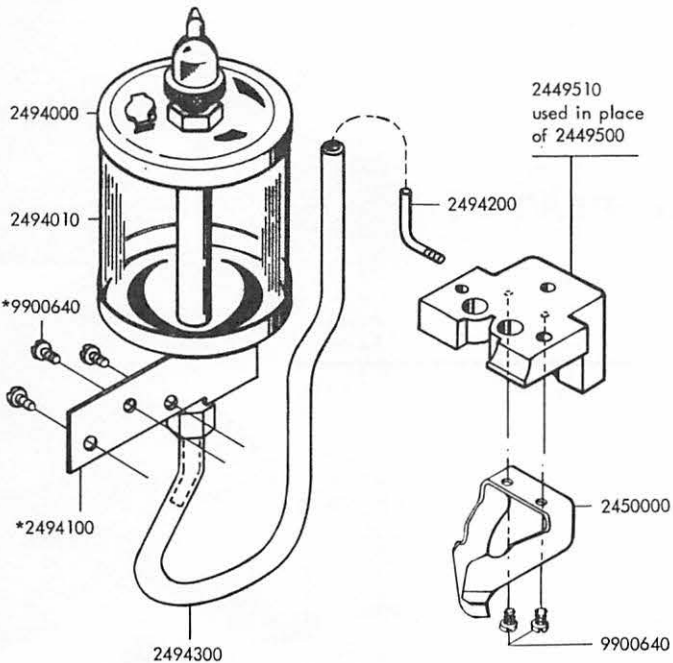
## LARGE BASE PLATE

Old Part #	New Part #	Description	Number Required
24885	2405534	Shaft for Base Roller	(2) (2)
24875	2485100	Base Spring	2
24871	2485102	Base Spring Complete (This will fit both the small and large base plates - includes 2405534, 2485100, 2485501)	2
24880	2485501	Base Roller	(2) (2)
24910	2489500	Toe Plate	1
24900	2490004	Large Aluminum Base Plate	1
24905	2490014	Flap for Large Base Plate	1
24925	2490100	Rod for Base Plate	1
24903	2490102	Large Base Plate Complete	1
24930	2490203	Spring for Flap	2
24895	9902410	Screw 5-40 x 3/16 fill. hd. pl.	2
24890	9904920	Screw 8-32 x 3/16 pan hd.	2
24870	9910102	Screw 10-32 x 1/4 flat hd. skt.	(3) (3)
24920	9910112	Screw 10-32 x oval hd. skt.	4
24915	9930020	Roll Pin 1/8 x 3/8	1

PLEASE USE PART NUMBERS WHEN ORDERING.

# SINGLE FEED OILER

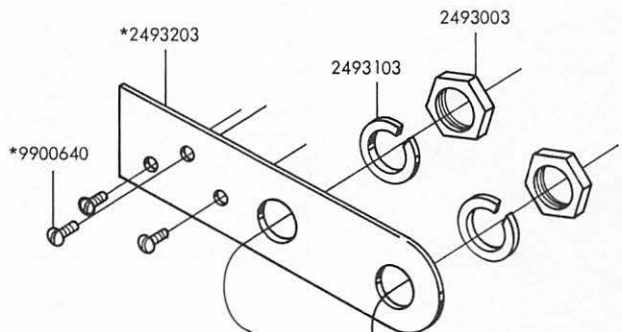
(KNIFE STRIP OILER)



Old Part #	New Part #	Description	Number Required
24506	2449510	Supplementary Block for Single Feed Oiler	1
25015	2450000	Pulley Spreader	1
25005	2494000	Single Feed Oiler (less bracket)	1
25007	2494010	Glass only for Single Feed Oiler	1
25006	*2494100	Bracket for Knife Strip Oiler	1
25010	2494200	Elbow for Single Feed Oiler	1
25012	2494300	Plastic Tube for Single Feed Oiler	1
24805	*9900640	Screw 6-32 x 1/4 Rd. Hd. Pl.	5

PLEASE USE PART NUMBERS WHEN ORDERING.

NOTE: \*  
Parts 2494100 and 2493203 attach to the Terminal Box.

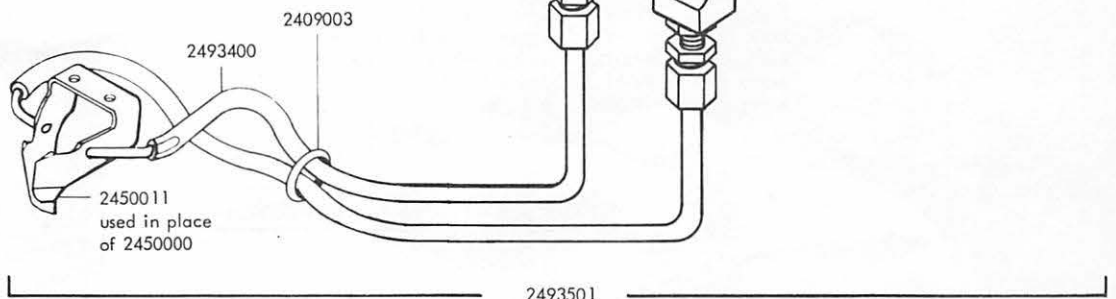


PLEASE USE PART NUMBERS WHEN ORDERING.

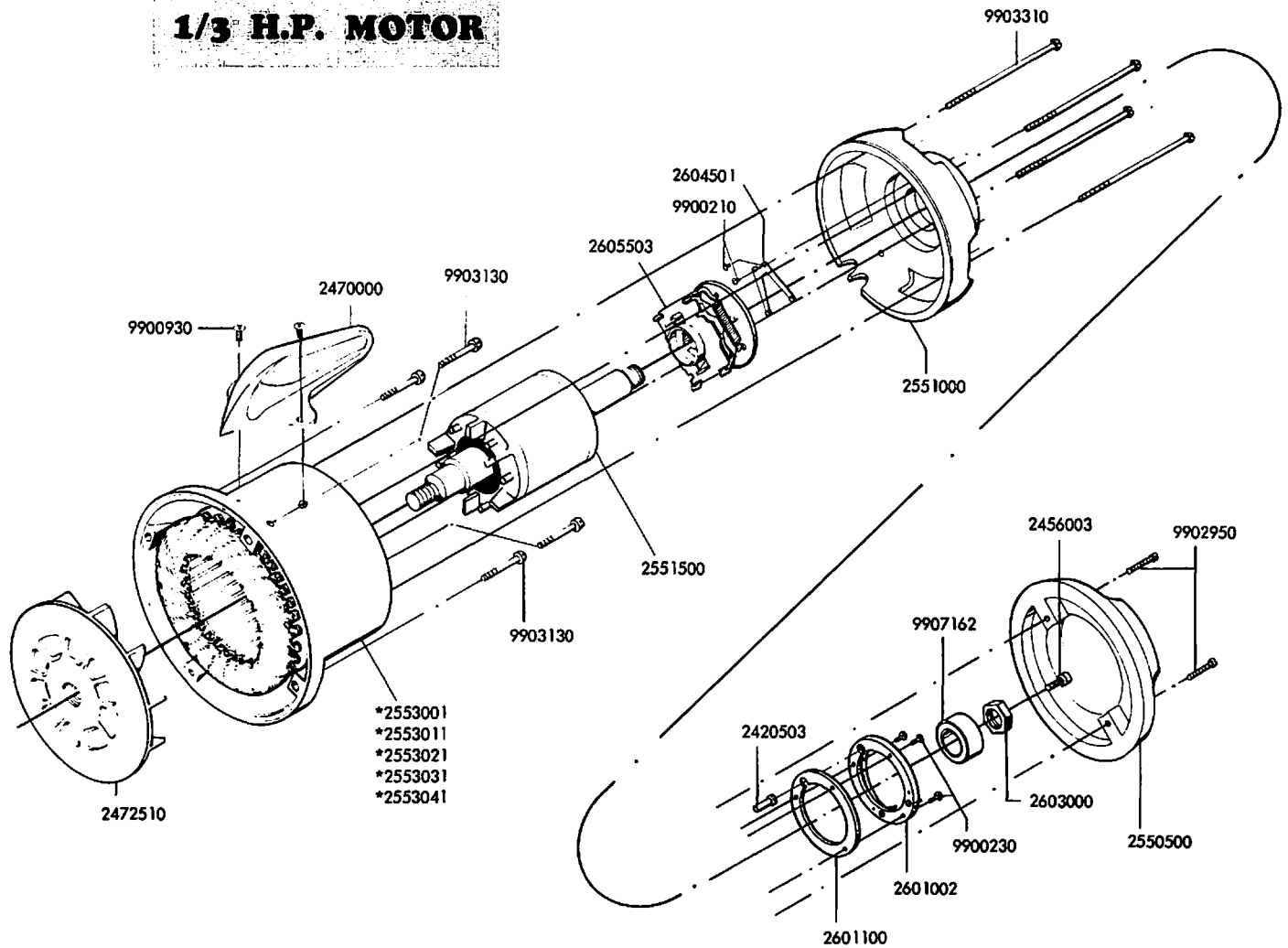
# DOUBLE FEED OILER

(MOISTENER FOR BLADE)

Old Part #	New Part #	Description	Number Required
24090	2409003	Rubber 'O' Ring	1
25035	2450011	Pulley Spreader for Double Feed Oiler	1
24985	2493003	Nut to lock Double Feed Oiler	2
24990	2493103	Washer to lock Double Feed Oiler	2
24995	*2493203	Bracket for Double Feed Oiler	1
25030	2493400	Plastic Tube for Oilers	2
25000-1	2493501	Double Feed Oiler - Complete	1
25000	2493503	Double Feed Oiler (incl. 2450011, 2493400, 2493003, 2493103, 2493203)	1
25001	2493603	Glass only - Double Feed Oiler	1
24805	*9900640	Screw 6-32 x 1/4 Rd. Hd. Pl.	3



# 1/3 H.P. MOTOR



Old Part #	New Part #	Description	Number Required
26020	2420503	Fibre Plunger	1
24517	2450712	Standard (7" only) (includes Insert) See Pg. 12	1
24560	2456003	Ball Bearing	1
24700	2470000	Lift Handle	1
25565	2472510	Fan	1
25505	2550500	Back Cover	1
25530	2551000	Back Motor Case	1
25550	*2551500	Rotor	1
25560	*2553001	Stator 110V - 1 Phase	1
25560	*2553011	Stator 220V - 1 Phase	1
25560	*2553021	Stator 220V - 3 Phase	1
25560	*2553031	Stator 220/380V - 3 Phase	1

Old Part #	New Part #	Description	Number Required
25560	*2553041	Stator 380V - 3 Phase	1
26010	2601002	Starter	1
26011	2601100	Insulation for Starter	1
26030	2603000	Nut	1
26045	2604501	Cushioning Spring	1
26055	2605503	Centrifugal Mechanism	1
26050	9900210	Screw 4-36 x 1/4 Rd. Hd. Pl.	2
25520	9900230	Screws 4-40 x 3/8 Rd. Hd. Pl.	3
24695	9900930	Screw 8-32 x 3/8 Rd. Hd. Pl.	2
25500	9902950	Screw 8-32 x 3/4 Fill Hd. Pl.	2
25555	9903130	Screw 10-32 x 7/8 Fill Hd. Pl.	1
25525	9903310	Screw 12-24 x 1-7/8 Fill. Hd. Pl.	4

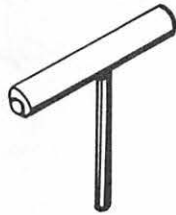
\*Give Serial No. of Machine - These parts cannot be furnished without appropriate information.

PLEASE USE PART NUMBERS WHEN ORDERING.

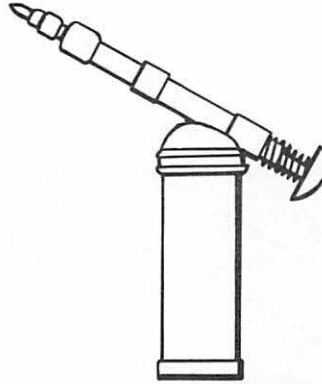
# ACCESSORIES



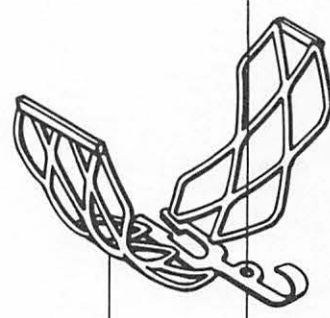
2502500



2503001



2504003



2427400

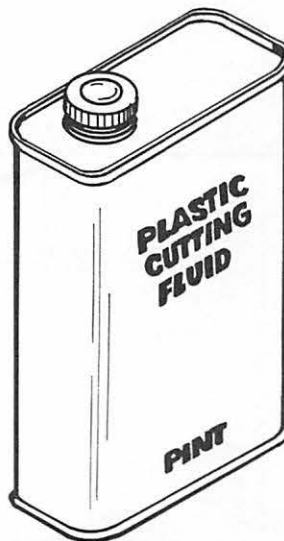


2505001

PART #	DESCRIPTION
2427400	OSHA Presserfoot w/Basket Guard
2502001	Comet Oil - Tube
2502101	Comet Oil - Pint
2502500	Slot Cleaner for Insert
2503001	Wrench to remove Knife
2504003	Grease Gun - Special
2505001	Comet Grease - Special
2505501	Plastic Cutting Fluid - Pint



2502101

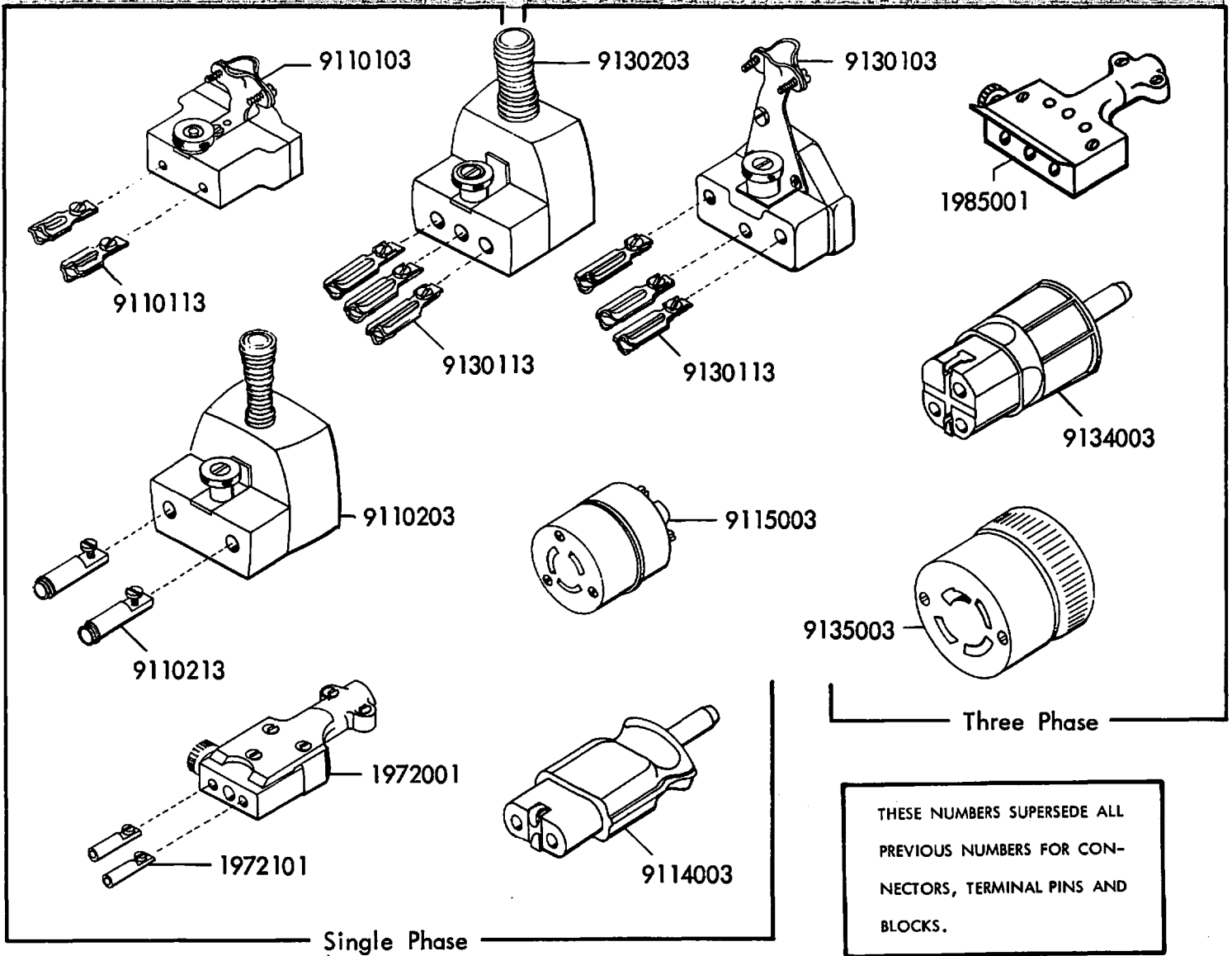


2505501



2502001

# CONNECTORS



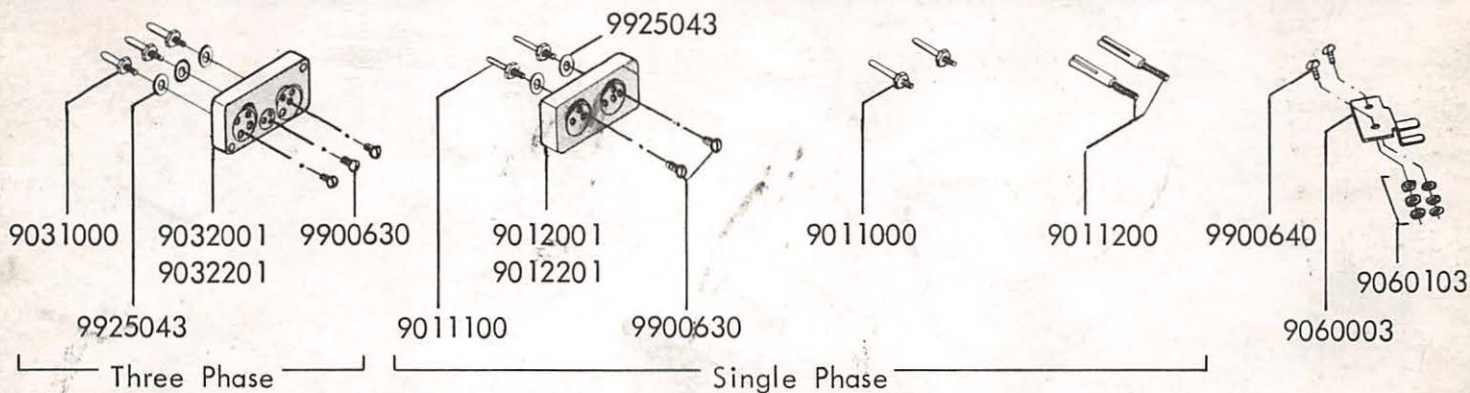
THESE NUMBERS SUPERSEDE ALL PREVIOUS NUMBERS FOR CONNECTORS, TERMINAL PINS AND BLOCKS.

Part No.	Description	Quantity used if more than 1
1972001	Plug 1 Ph. Gury - Old Style	
1972101	Contact 1 Ph. Gury - Old Style	2
1985001	Plug 3 Ph. Gury - Old Style - Not grounded	
9110103	Plug 1 Ph. Eastman Type 'F'	
9110113	Contact 1 Ph. Eastman Type 'F'	2
9110203	Plug 1 Ph. Wolf	
9110213	Contact 1 Ph. Wolf	2
9114003	Plug 1 Ph. Continental	
9115003	Plug 1 Ph. Twistlock	
9130103	Plug 3 Ph. Eastman Type 'D'	
9130113	Contact 3 Ph. Eastman & Gury	3
9130203	220 V Plug 1 Ph. & 3 Ph. Gury	
9134003	Plug 3 Ph. Continental	
9135003	Plug 3 Ph. Twistlock	

PLEASE USE PART NUMBER WHEN ORDERING.

From the library of: Superior Sewing Machine & Supply LLC

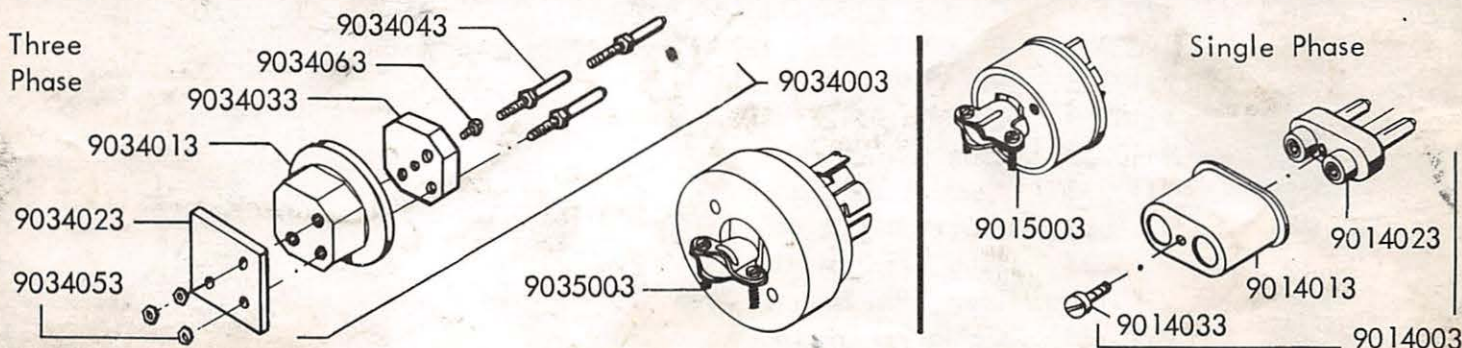
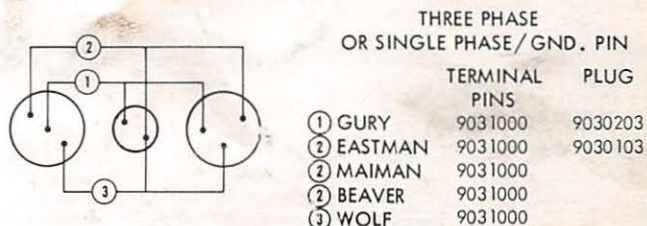
# TERMINAL PINS & BLOCKS, PIN PLACEMENT & PLUGS



BE SURE TO ORDER CORRECT PINS FOR YOUR PLUG.

Part No.	Description	Quantity used if more than 1	Part No.	Description	Quantity used if more than 1
9011000	Terminal Pin 1 Ph. Eastman		9034003	Continental Male Plug 3 Ph. Complete	
9011100	Terminal Pin 1 Ph. Gury (Old Style)	2	9034013	Continental Male Plug 3 Ph. Shell	
9011200	Terminal Pin 1 Ph. Wolf	2	9034023	Continental Male Plug 3 Ph. Insul. Bottom	
9012001	Terminal Block 1 Ph. Plastic		9034033	Continental Male Plug 3 Ph. Insul. Inside	
9012201	Terminal Block 1 Ph. Fiber for Comet		9034043	Continental Male Plug 3 Ph. Pins	3
9014003	Continental Male Plug Complete 1 Ph.		9034053	Continental Male Plug 3 Ph. Nuts for Pins	3
9014013	Continental Male Plug 1 Ph. Shell		9034063	Continental Male Plug 3 Ph. Screw for Insul. Inside	
9014023	Continental Male Plug 1 Ph. Pins & Base		9035003	Twistlock Male Plug 3 Ph.	
9014033	Continental Male Plug 1 Ph. Screw		9060003	Ground Clip	
9014500	Terminal Block 1 Ph. Continental - Alum. Not shown		9060103	Washer #6 Special Spacing	6
9015003	Twistlock Male Plug 1 Ph.		9900630	Screw 6-32 x 3/16 Rd. Hd. Pl.	3 & 2
9015500	Terminal Block 1 Ph. Twistlock (Not shown)		9900640	Screw 6-32 x 1/4 Rd. Hd. Pl.	2
9031000	Terminal Pin 3 Ph. Gury & Eastman	3	9925043	Washer Brass #8 for Pins	3, 2, 2, & 2
9032001	Terminal Block 3 Ph. Plastic				
9032201	Terminal Block 3 Ph. Fiber for Comet				

## PIN PLACEMENT



# GURY MANUFACTURING CO.

10270 PAGE INDUSTRIAL BLVD. • ST. LOUIS, MO 63132

From the library of Superior Sewing Machine & Supply LLC

AREA CODE 314 427-1600

Telex # 44-2420